



crs | Chromatography
Research Supplies



**In the lab, we're your
trusted source for
routine analysis.**

**You can rely on CRS
products for consistent
results.**

crs | Chromatography
Research Supplies



Gas Purifiers & Filters

Advanced Filter System Purifiers	4-5
Reconditioning Program	6
ZPure™ High-Purity Inline Gas Filters	7-18
Stainless Steel	7-13
ZPure™ M Refillable	14
Glass Indicating	15-18
SPure™ General-Purpose Inline Gas Filters	19-22
Quick Connect Replacements	23-24
Legacy Purifiers	25-26
Model 1000 Oxygen	25
Model 500 Moisture	25
Model 300 Hydrocarbon	26
Carbon Dioxide	26

AFS Purifiers I, II & III

- High purity, clean flow path: Gas contacts only metal, glass and fluoroelastomer seals
- High capacity and efficiency in a single cartridge
- Easy cartridge replacement with twist on/off assembly knob
- Double seal construction for safety (especially when using hydrogen gas)
- Check valves protect gas lines during cartridge replacement
- Includes mounting hardware for wall or bench
- Stainless steel fittings
- Reconditioning program allows for recycling of cartridge

Innovative Design

Two part system includes a small stainless steel manifold and a high capacity purifier cartridge.

The manifold mounts to a laboratory wall or bench with brackets included in the installation kit, and connects to the gas lines with stainless steel compression fittings.

The cartridge easily attaches and detaches from the manifold with an assembly knob. To change the cartridge, simply twist the knob to disconnect the cartridge from the manifold and slide on a new cartridge. Twist the knob back for a tight, secure fit. The manifold contains check valves that close when the cartridge is removed.

All of the AFS Purifiers have very high capacity and can supply multiple GC's for an extended period of time, depending on the laboratory environment.





AFS Purifier I

The Advanced Filter System I is a high-capacity gas purifying system that removes O₂, H₂O, and hydrocarbons (C5 and heavier) from inert gases and hydrogen. It contains a high-sensitivity oxygen and moisture indicator. As shown below, when the cartridge is depleted the oxygen indicator changes from **GREEN** to **GREY** and the moisture indicator changes from **BLUE** to **BROWN**.

cator changes from **GREEN** to **GREY** and the moisture indicator changes from **BLUE** to **BROWN**.

Description	Item No.
AFS Purifier I, 1/8" Fittings, Complete Kit	202900
AFS Purifier I, 1/4" Fittings, Complete Kit	202902
Replacement Cartridge, AFS Purifier I	202910
Reconditioned Cartridge*, AFS Purifier I	202920

**Requires exchange of depleted cartridge.*



AFS Purifier II

The Advanced Filter System II is a high-capacity gas purifying system that removes H₂O and hydrocarbons (C5 and heavier) from inert gases and hydrogen. It contains a high-sensitivity moisture indicator. As shown below, when the cartridge is depleted the moisture indicator changes from **BLUE** to **BROWN**.

BLUE to **BROWN**.

Description	Item No.
AFS Purifier II, 1/8" Fittings, Complete Kit	202903
AFS Purifier II, 1/4" Fittings, Complete Kit	202904
Replacement Cartridge, AFS Purifier II	202950
Reconditioned Cartridge*, AFS Purifier II	202930

**Requires exchange of depleted cartridge.*



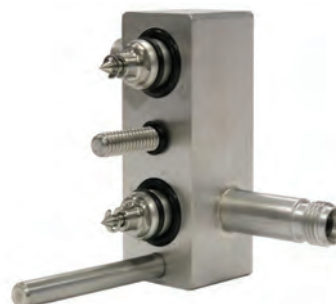
AFS Purifier III

The Advanced Filter System III is a high-capacity gas purifying system that removes H₂O from inert gases and hydrogen. It contains a high-sensitivity moisture indicator. As shown below, when the cartridge is depleted the moisture indicator changes from **BLUE** to **BROWN**.

BLUE to **BROWN**.

Description	Item No.
AFS Purifier III, 1/8" Fittings, Complete Kit	202905
AFS Purifier III, 1/4" Fittings, Complete Kit	202906
Replacement Cartridge, AFS Purifier III	202955
Reconditioned Cartridge*, AFS Purifier III	202935

**Requires exchange of depleted cartridge.*



Manifolds

Description	Item No.
1/8" AFS Purifier Manifold	202900MN
1/4" AFS Purifier Manifold	202902MN

Visit www.ChromRes.com for product specifications and additional information.

Filter Indicators shown in both the full capacity and depleted state.



O₂ Adsorbent:
Top: Full Capacity; Bottom: Depleted.



H₂O Adsorbent:
Top: Full Capacity; Bottom: Depleted.



What is the reconditioning Program?

When your AFS cartridge is depleted, you can return it to CRS for credit towards a reconditioned cartridge. We can restore a depleted cartridge to like-new specifications by refilling it with new adsorbents. You can then order these reconditioned cartridges for a reduced price.

You benefit by paying less for cartridges, while helping the environment by reducing waste and recycling the cartridge body.

How does it work?

You can order a reconditioned cartridge from CRS at any time. Once you've received the next cartridge, simply ship the original depleted cartridge back to CRS in the box provided. No waiting or instrument downtime!

Shipping of Hazardous Materials?

In some cases, high quality gas filters with active O₂ or CO₂ adsorbents must be shipped as hazardous goods, even after use. If you are not certified to ship dangerous goods please contact CRS Technical Support.

Which products are in the program?

CRS currently offers the reconditioning program for all AFS cartridges. This includes the AFS I, II, and III. The ZPure M Filters are also refillable by CRS and are listed on page 14. If you have any questions regarding the reconditioning program please contact CRS Technical Support.

CRS Technical Support
+ 1.502.491.6300 International
1.800.327.3800 U.S. Only
Sales@ChromRes.com

ZPure™ Inline Gas Filters - Stainless Steel

- High-quality activated adsorbents
- Long purifier life and efficient contaminant removal
- Various size and fitting configurations to fit most existing installations

*Filter lifetime is dependent on the quality of incoming gas and the flow rate.

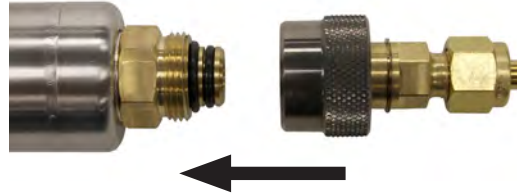
*For more detailed specifications on individual applications please contact CRS at Sales@ChromRes.com.



From Left to Right:
130 cc, 475 cc, 500 cc, 750 cc.



Compression Fittings seal well and can be broken and retightened many times if used properly. They are compatible with industry standard ferrules and tubing.



Quick Connect Fittings are used for fast connections and replacements. They have superior seals that use o-rings and check valves to protect gas lines.



Push-to-Connect Fittings are used to connect plastic tubing with a quick and easy connection. They have lower pressure ratings, and permeation through plastic tubing can have some effect on the ultimate purity level of the gas.



ZPure™ O₂ Filters

The ZPure O₂ Filter removes O₂ from He, Ar, N₂, H₂, and methane to low ppb levels with very high capacity. The ZPure O₂ Filter is available with standard compression fittings or quick connect fittings in 1/4" and 1/8" brass and stainless steel.

Visit www.ChromRes.com for product specifications and additional information.

www.ChromRes.com

130 cc Filters

Compression Fittings	Item No.
1/8" Brass Fittings	202216-B
1/8" Stainless Steel Fittings	202216-SS
1/4" Brass Fittings	202217-B
1/4" Stainless Steel Fittings	202217-SS

Quick Connect Fittings*

Quick Connect Fittings*	Item No.
1/8" Brass Fittings	202216-B-QC
1/8" Stainless Steel Fittings	202216-SS-QC
1/4" Brass Fittings	202217-B-QC
1/4" Stainless Steel Fittings	202217-SS-QC

*Replacement Filters listed on page 23.

Gas Purifiers & Filters



ZPure™ HC Filters

The ZPure HC Filter removes hydrocarbons (C5 and heavier) from inert gases, He, Ar, N₂, H₂, and clean dry air (CDA) to low ppb levels. It is recommended for most applications that require hydrocarbon-free gas, and is available in 4 sizes of stainless steel cylinders ranging from 130 cc to 750 cc. The ZPure HC Filter is available with standard compression fittings and quick connect fittings offered in 1/4" and 1/8" brass and stainless steel, or metal push-to-connect fittings in 1/4" and 6 mm for plastic tubing and non-carrier gas lines.

Visit www.ChromRes.com for product specifications and additional information.

130 cc Filters

Compression Fittings	Item No.
1/8" Brass Fittings	202232-B
1/8" Stainless Steel Fittings	202232-SS
1/4" Brass Fittings	202233-B
1/4" Stainless Steel Fittings	202233-SS

Quick Connect Fittings*	Item No.
1/8" Brass Fittings	202232-B-QC
1/8" Stainless Steel Fittings	202232-SS-QC
1/4" Brass Fittings	202233-B-QC
1/4" Stainless Steel Fittings	202233-SS-QC

Push-to-Connect Fittings	Item No.
1/4" Nickel Plated Brass Fittings	202232-4-PC
6 mm Nickel Plated Brass Fittings	202232-6-PC

LS - 475 cc Filters

Compression Fittings	Item No.
1/8" Brass Fittings	202232L-B
1/8" Stainless Steel Fittings	202232L-SS

1/4" Brass Fittings	202233L-B
1/4" Stainless Steel Fittings	202233L-SS

Quick Connect Fittings*	Item No.
1/8" Brass Fittings	202232L-B-QC
1/8" Stainless Steel Fittings	202232L-SS-QC
1/4" Brass Fittings	202233L-B-QC
1/4" Stainless Steel Fittings	202233L-SS-QC

Push-to-Connect Fittings	Item No.
1/4" Nickel Plated Brass Fittings	202232L-4-PC
6 mm Nickel Plated Brass Fittings	202232L-6-PC

DS - 500 cc Filters

Compression Fittings	Item No.
1/8" Brass Fittings	202232D-B
1/8" Stainless Steel Fittings	202232D-SS
1/4" Brass Fittings	202233D-B
1/4" Stainless Steel Fittings	202233D-SS

Quick Connect Fittings*	Item No.
1/8" Brass Fittings	202232D-B-QC
1/8" Stainless Steel Fittings	202232D-SS-QC
1/4" Brass Fittings	202233D-B-QC
1/4" Stainless Steel Fittings	202233D-SS-QC

Push-to-Connect Fittings	Item No.
1/4" Nickel Plated Brass Fittings	202232D-4-PC
6 mm Nickel Plated Brass Fittings	202232D-6-PC

XLS - 750 cc Filters

Compression Fittings	Item No.
1/8" Brass Fittings	202232XL-B
1/8" Stainless Steel Fittings	202232XL-SS
1/4" Brass Fittings	202233XL-B
1/4" Stainless Steel Fittings	202233XL-SS

Quick Connect Fittings*	Item No.
1/8" Brass Fittings	202232XL-B-QC
1/8" Stainless Steel Fittings	202232XL-SS-QC
1/4" Brass Fittings	202233XL-B-QC
1/4" Stainless Steel Fittings	202233XL-SS-QC

Push-to-Connect Fittings	Item No.
1/4" Nickel Plated Brass Fittings	202232XL-4-PC
6 mm Nickel Plated Brass Fittings	202232XL-6-PC

*Replacement Filters listed on page 23.



ZPure™ H₂O Filters

The ZPure H₂O Filter removes H₂O from inert gases, He, Ar, N₂, H₂, methane and clean dry air (CDA) to low ppb levels, with very high capacity. It is recommended for any application that requires ultra-dry gas, and is available in 4 sizes of stainless steel cylinders ranging from 130 cc to 750 cc. The ZPure H₂O Filter is available with standard compression fittings or quick connect fittings offered in 1/4" and 1/8" brass and stainless steel, or metal push-to-connect fittings in 1/4" and 6 mm for plastic tubing and non-carrier gas lines.

Visit www.ChromRes.com for product specifications and additional information.

130 cc Filters

Compression Fittings	Item No.
1/8" Brass Fittings	202230-B
1/8" Stainless Steel Fittings	202230-SS
1/4" Brass Fittings	202231-B
1/4" Stainless Steel Fittings	202231-SS

Quick Connect Fittings*	Item No.
1/8" Brass Fittings	202230-B-QC
1/8" Stainless Steel Fittings	202230-SS-QC
1/4" Brass Fittings	202231-B-QC
1/4" Stainless Steel Fittings	202231-SS-QC

Push-to-Connect Fittings	Item No.
1/4" Nickel Plated Brass Fittings	202230-4-PC
6 mm Nickel Plated Brass Fittings	202230-6-PC

LS - 475 cc Filters

Compression Fittings	Item No.
1/8" Brass Fittings	202230L-B
1/8" Stainless Steel Fittings	202230L-SS

1/4" Brass Fittings	202231L-B
1/4" Stainless Steel Fittings	202231L-SS

Quick Connect Fittings*	Item No.
1/8" Brass Fittings	202230L-B-QC
1/8" Stainless Steel Fittings	202230L-SS-QC
1/4" Brass Fittings	202231L-B-QC
1/4" Stainless Steel Fittings	202231L-SS-QC

Push-to-Connect Fittings	Item No.
1/4" Nickel Plated Brass Fittings	202230L-4-PC
6 mm Nickel Plated Brass Fittings	202230L-6-PC

DS - 500 cc Filters

Compression Fittings	Item No.
1/8" Brass Fittings	202230D-B
1/8" Stainless Steel Fittings	202230D-SS
1/4" Brass Fittings	202231D-B
1/4" Stainless Steel Fittings	202231D-SS

Quick Connect Fittings*	Item No.
1/8" Brass Fittings	202230D-B-QC
1/8" Stainless Steel Fittings	202230D-SS-QC
1/4" Brass Fittings	202231D-B-QC
1/4" Stainless Steel Fittings	202231D-SS-QC

Push-to-Connect Fittings	Item No.
1/4" Nickel Plated Brass Fittings	202230D-4-PC
6 mm Nickel Plated Brass Fittings	202230D-6-PC

XLS - 750 cc Filters

Compression Fittings	Item No.
1/8" Brass Fittings	202230XL-B
1/8" Stainless Steel Fittings	202230XL-SS
1/4" Brass Fittings	202231XL-B
1/4" Stainless Steel Fittings	202231XL-SS

Quick Connect Fittings*	Item No.
1/8" Brass Fittings	202230XL-B-QC
1/8" Stainless Steel Fittings	202230XL-SS-QC
1/4" Brass Fittings	202231XL-B-QC
1/4" Stainless Steel Fittings	202231XL-SS-QC

Push-to-Connect Fittings	Item No.
1/4" Nickel Plated Brass Fittings	202230XL-4-PC
6 mm Nickel Plated Brass Fittings	202230XL-6-PC

*Replacement Filters listed on page 23.

Gas Purifiers & Filters



ZPure™ CO₂ Filters

The ZPure CO₂ Filter removes CO₂ from inert gases, He, Ar, N₂, H₂, and clean dry air (CDA) to low ppb levels. The filter functions by consuming carbon dioxide in a reaction with highly-dispersed NaOH on a silicate support. The reaction produces water which remains adsorbed in the purifier. In applications where water removal is highly critical, we recommend using an additional moisture trap after the CO₂ Filter. It is available in 4 sizes of stainless steel cylinders ranging from 130 cc to 750 cc. The filter is available with standard compression fittings and quick connect fittings offered in 1/4" and 1/8" brass and stainless steel.

Visit www.ChromRes.com for product specifications and additional information.

130 cc Filters

Compression Fittings	Item No.
1/8" Brass Fittings	202212-B
1/8" Stainless Steel Fittings	202212-SS
1/4" Brass Fittings	202213-B
1/4" Stainless Steel Fittings	202213-SS

Quick Connect Fittings*	Item No.
1/8" Brass Fittings	202212-B-QC
1/8" Stainless Steel Fittings	202212-SS-QC
1/4" Brass Fittings	202213-B-QC
1/4" Stainless Steel Fittings	202213-SS-QC

LS - 475 cc Filters

Compression Fittings	Item No.
1/8" Brass Fittings	202212L-B
1/8" Stainless Steel Fittings	202212L-SS
1/4" Brass Fittings	202213L-B
1/4" Stainless Steel Fittings	202213L-SS

Quick Connect Fittings*	Item No.
1/8" Brass Fittings	202212L-B-QC
1/8" Stainless Steel Fittings	202212L-SS-QC
1/4" Brass Fittings	202213L-B-QC
1/4" Stainless Steel Fittings	202213L-SS-QC

DS - 500 cc Filters

Compression Fittings	Item No.
1/8" Brass Fittings	202212D-B
1/8" Stainless Steel Fittings	202212D-SS
1/4" Brass Fittings	202213D-B
1/4" Stainless Steel Fittings	202213D-SS

Quick Connect Fittings*	Item No.
1/8" Brass Fittings	202212D-B-QC
1/8" Stainless Steel Fittings	202212D-SS-QC
1/4" Brass Fittings	202213D-B-QC
1/4" Stainless Steel Fittings	202213D-SS-QC

XLS - 750 cc Filters

Compression Fittings	Item No.
1/8" Brass Fittings	202212XL-B
1/8" Stainless Steel Fittings	202212XL-SS
1/4" Brass Fittings	202213XL-B
1/4" Stainless Steel Fittings	202213XL-SS

Quick Connect Fittings*	Item No.
1/8" Brass Fittings	202212XL-B-QC
1/8" Stainless Steel Fittings	202212XL-SS-QC
1/4" Brass Fittings	202213XL-B-QC
1/4" Stainless Steel Fittings	202213XL-SS-QC

*Replacement Filters listed on page 23.



ZPure™ O₂/H₂O Filters

The ZPure O₂/H₂O Filter removes O₂ and H₂O from inert gases, He, Ar, N₂ and H₂, making it ideal for use with GC and GC/MS carrier gas lines. It is also recommended for any application requiring ultra-pure gas free from oxygen and moisture. It is available in 4 sizes of stainless steel cylinders ranging from 130 cc to 750 cc. The filter is available with standard compression fittings and quick connect fittings offered in 1/4" and 1/8" brass and stainless steel.

Visit www.ChromRes.com for product specifications and additional information.

130 cc Filters

Compression Fittings	Item No.
1/8" Brass Fittings	202295-B
1/8" Stainless Steel Fittings	202295-SS
1/4" Brass Fittings	202296-B
1/4" Stainless Steel Fittings	202296-SS

Quick Connect Fittings*	Item No.
1/8" Brass Fittings	202295-B-QC
1/8" Stainless Steel Fittings	202295-SS-QC
1/4" Brass Fittings	202296-B-QC
1/4" Stainless Steel Fittings	202296-SS-QC

LS - 475 cc Filters

Compression Fittings	Item No.
1/8" Brass Fittings	202295L-B
1/8" Stainless Steel Fittings	202295L-SS
1/4" Brass Fittings	202296L-B
1/4" Stainless Steel Fittings	202296L-SS

Quick Connect Fittings*	Item No.
1/8" Brass Fittings	202295L-B-QC
1/8" Stainless Steel Fittings	202295L-SS-QC
1/4" Brass Fittings	202296L-B-QC
1/4" Stainless Steel Fittings	202296L-SS-QC

DS - 500 cc Filters

Compression Fittings	Item No.
1/8" Brass Fittings	202295D-B
1/8" Stainless Steel Fittings	202295D-SS
1/4" Brass Fittings	202296D-B
1/4" Stainless Steel Fittings	202296D-SS

Quick Connect Fittings*	Item No.
1/8" Brass Fittings	202295D-B-QC
1/8" Stainless Steel Fittings	202295D-SS-QC
1/4" Brass Fittings	202296D-B-QC
1/4" Stainless Steel Fittings	202296D-SS-QC

XLS - 750 cc Filters

Compression Fittings	Item No.
1/8" Brass Fittings	202295XL-B
1/8" Stainless Steel Fittings	202295XL-SS
1/4" Brass Fittings	202296XL-B
1/4" Stainless Steel Fittings	202296XL-SS

Quick Connect Fittings*	Item No.
1/8" Brass Fittings	202295XL-B-QC
1/8" Stainless Steel Fittings	202295XL-SS-QC
1/4" Brass Fittings	202296XL-B-QC
1/4" Stainless Steel Fittings	202296XL-SS-QC

*Replacement Filters listed on page 23.

Gas Purifiers & Filters



ZPure™ PolyGas I Purifiers

The ZPure PolyGas I Purifier removes a wide range of contaminants including O₂, H₂O, CO₂, CO, halogenated compounds, siloxanes, hydrocarbons (C5 and heavier), sulfur-containing molecules, ammonia and other gases. It can be used to purify inert gases, He, Ar, N₂, and H₂, making it ideal for use with GC and GC/MS carrier gas lines. It is recommended for any application requiring ultra-pure gas free from oxygen, water and hydrocarbons. It is available in 4 sizes of stainless steel cylinders ranging from 130 cc to 750 cc. The ZPure PolyGas I Purifier is available with standard compression fittings and quick connect fittings offered in 1/4" and 1/8" brass and stainless steel.

Visit www.ChromRes.com for product specifications and additional information.

130 cc Filters

Compression Fittings	Item No.
1/8" Brass Fittings	202285-B
1/8" Stainless Steel Fittings	202285-SS
1/4" Brass Fittings	202286-B
1/4" Stainless Steel Fittings	202286-SS
Quick Connect Fittings*	Item No.
1/8" Brass Fittings	202285-B-QC
1/8" Stainless Steel Fittings	202285-SS-QC
1/4" Brass Fittings	202286-B-QC
1/4" Stainless Steel Fittings	202286-SS-QC

LS - 475 cc Filters

Compression Fittings	Item No.
1/8" Brass Fittings	202285L-B
1/8" Stainless Steel Fittings	202285L-SS

1/4" Brass Fittings	202286L-B
1/4" Stainless Steel Fittings	202286L-SS

Quick Connect Fittings*	Item No.
1/8" Brass Fittings	202285L-B-QC
1/8" Stainless Steel Fittings	202285L-SS-QC
1/4" Brass Fittings	202286L-B-QC
1/4" Stainless Steel Fittings	202286L-SS-QC

DS - 500 cc Filters

Compression Fittings	Item No.
1/8" Brass Fittings	202285D-B
1/8" Stainless Steel Fittings	202285D-SS
1/4" Brass Fittings	202286D-B
1/4" Stainless Steel Fittings	202286D-SS

Quick Connect Fittings*	Item No.
1/8" Brass Fittings	202285D-B-QC
1/8" Stainless Steel Fittings	202285D-SS-QC
1/4" Brass Fittings	202286D-B-QC
1/4" Stainless Steel Fittings	202286D-SS-QC

XLS - 750 cc Filters

Compression Fittings	Item No.
1/8" Brass Fittings	202285XL-B
1/8" Stainless Steel Fittings	202285XL-SS
1/4" Brass Fittings	202286XL-B
1/4" Stainless Steel Fittings	202286XL-SS

Quick Connect Fittings*	Item No.
1/8" Brass Fittings	202285XL-B-QC
1/8" Stainless Steel Fittings	202285XL-SS-QC
1/4" Brass Fittings	202286XL-B-QC
1/4" Stainless Steel Fittings	202286XL-SS-QC

*Replacement Filters listed on page 23.



ZPure™ PolyGas II Purifiers

The ZPure PolyGas II Purifier removes H₂O, CO₂, halogenated compounds, siloxanes, hydrocarbons (C₅ and heavier), sulfur-containing molecules, ammonia and other gases. It can be used to purify inert gases, He, Ar, N₂, and H₂, and clean dry air (CDA), to low-ppb levels. A common application is for conditioning the hydrogen and zero air lines used with GC flame ionization detectors. It is available in 4 sizes of stainless steel cylinders ranging from 130 cc to 750 cc. The ZPure PolyGas II Purifier is available with standard compression fittings and quick connect fittings offered in 1/4" and 1/8" brass and stainless steel.

Visit www.ChromRes.com for product specifications and additional information.

130 cc Filters

Compression Fittings	Item No.
1/8" Brass Fittings	202287-B
1/8" Stainless Steel Fittings	202287-SS
1/4" Brass Fittings	202288-B
1/4" Stainless Steel Fittings	202288-SS

Quick Connect Fittings*	Item No.
1/8" Brass Fittings	202287-B-QC
1/8" Stainless Steel Fittings	202287-SS-QC
1/4" Brass Fittings	202288-B-QC
1/4" Stainless Steel Fittings	202288-SS-QC

LS - 475 cc Filters

Compression Fittings	Item No.
1/8" Brass Fittings	202287L-B
1/8" Stainless Steel Fittings	202287L-SS
1/4" Brass Fittings	202288L-B
1/4" Stainless Steel Fittings	202288L-SS

Quick Connect Fittings*	Item No.
1/8" Brass Fittings	202287L-B-QC
1/8" Stainless Steel Fittings	202287L-SS-QC
1/4" Brass Fittings	202288L-B-QC
1/4" Stainless Steel Fittings	202288L-SS-QC

DS - 500 cc Filters

Compression Fittings	Item No.
1/8" Brass Fittings	202287D-B
1/8" Stainless Steel Fittings	202287D-SS
1/4" Brass Fittings	202288D-B
1/4" Stainless Steel Fittings	202288D-SS

Quick Connect Fittings*	Item No.
1/8" Brass Fittings	202287D-B-QC
1/8" Stainless Steel Fittings	202287D-SS-QC
1/4" Brass Fittings	202288D-B-QC
1/4" Stainless Steel Fittings	202288D-SS-QC

XLS - 750 cc Filters

Compression Fittings	Item No.
1/8" Brass Fittings	202287XL-B
1/8" Stainless Steel Fittings	202287XL-SS
1/4" Brass Fittings	202288XL-B
1/4" Stainless Steel Fittings	202288XL-SS

Quick Connect Fittings*	Item No.
1/8" Brass Fittings	202287XL-B-QC
1/8" Stainless Steel Fittings	202287XL-SS-QC
1/4" Brass Fittings	202288XL-B-QC
1/4" Stainless Steel Fittings	202288XL-SS-QC

*Replacement Filters listed on page 23.



DJ's Tech Tips

Vertical mounting of filters gives you more efficient contaminant removal. Media can settle and allow gas to pass over it when they are placed horizontally.

Gas Purifiers & Filters



Read more about our reconditioning and refilling programs on **page 6**.

ZPure™ M Filters

The ZPure M Filter is our largest capacity filter. It is a 3.8 L (3800 cc) canister that has the benefit of higher flow rates, and it is CRS-refillable* at a reduced price. The canister is made from 316 stainless steel and has stainless steel fitting options in 1/2" VCR, 1/4" compression, and 1/4" quick connect fittings.

ZPure M Filters are available in contaminant-specific filters for hydrocarbons, moisture, or carbon dioxide, as well as multi-contaminant versions including an oxygen/moisture filter, and the PolyGas II Purifier.

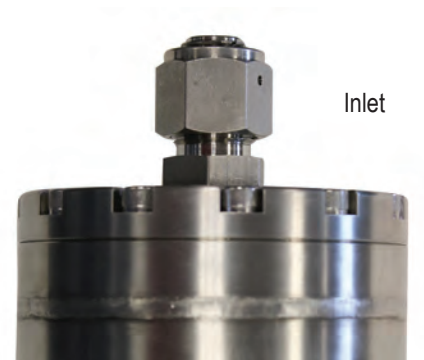
Visit www.ChromRes.com for product specifications and additional information.

*CRS ZPure M CO₂ is excluded from the reconditioning program. Please contact CRS for instructions on returning all ZPure M canisters for reconditioning by CRS.

3800 cc Filters

1/2" VCR Fittings	Item No.
ZPure M HC Filter	202232M-V
ZPure M H ₂ O Filter	202230M-V
ZPure M CO ₂ Filter	202212M-V
ZPure M PolyGas II Purifier	202287M-V
ZPure O ₂ / H ₂ O Purifier	202295M-V

1/4" SS Compression Fittings	Item No.
ZPure M HC Filter	202233M-SS
ZPure M H ₂ O Filter	202231M-SS
ZPure M CO ₂ Filter	202213M-SS
ZPure M PolyGas II Purifier	202288M-SS
ZPure O ₂ / H ₂ O Purifier	202296M-SS



1/2" VCR Fittings

1/4" SS Quick Connect Fittings	Item No.
ZPure M HC Filter	202233M-SS-QC
ZPure M H ₂ O Filter	202231M-SS-QC
ZPure M CO ₂ Filter	202213M-SS-QC
ZPure M PolyGas II Purifier	202288M-SS-QC
ZPure O ₂ / H ₂ O Purifier	202296M-SS-QC

ZPure™ Inline Gas Filters - Glass Indicating

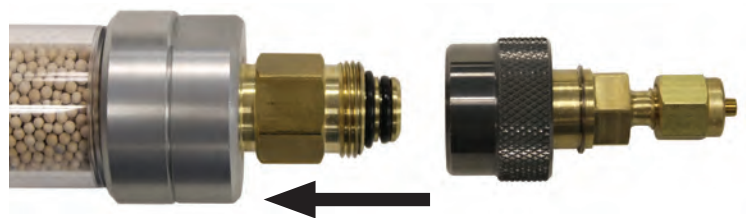
- A range of convenient point-of-use purifiers for many applications, with high-sensitivity visual indicators for oxygen and water breakthrough
- Outer polycarbonate tube isolates the gas stream if the inner glass tube should break
- High capacity adsorbents with consistent performance
- Integrated stainless steel frits for particle removal
- Fluoroelastomer seals for inertness
- Individually helium leak-tested
- Available with compression and quick connect fittings

*Filter lifetime is dependent on the quality of incoming gas and the flow rate.

*For more detailed specifications on individual applications please contact CRS at Sales@ChromRes.com.



Compression Fittings seal well and can be broken and retightened many times if used properly. They are compatible with industry standard ferrules and tubing.



Quick Connect Fittings are used for fast connections and replacements. They have superior seals that use O-rings and check valves to protect gas lines.

Filter Indicators shown in full capacity and depleted states.



Oxygen Adsorbent:
Top: Full Capacity; Bottom: Depleted.



Moisture Adsorbent:
Top: Full Capacity; Bottom: Depleted.



CoFree™ Adsorbent:
Top: Full Capacity; Bottom: Depleted.

Gas Purifiers & Filters



ZPure™ Glass PolyGas I Purifiers

The ZPure PolyGas I Purifier removes O₂, H₂O, CO₂, CO, halogenated compounds, siloxanes, hydrocarbons (C5 and heavier), sulfur-containing molecules, and ammonia from inert gases, He, Ar, N₂ and H₂. It can be used to provide end-point detection for use with other ZPure Filters. The indicators signal oxygen breakthrough when the adsorbent changes from **GREEN** to **GREY** and the moisture indicator changes from **BLUE** to **BROWN**. The ZPure Glass Filters and Purifiers are available with standard compression fittings or quick connect fittings in 1/4" and 1/8" brass and stainless steel.

Visit www.ChromRes.com for product specifications and additional information.

38 cc Filters

Compression Fittings	Item No.
1/8" Brass Fittings	202314-B
1/8" Stainless Steel Fittings	202314-SS
1/4" Brass Fittings	202315-B
1/4" Stainless Steel Fittings	202315-SS
Quick Connect Fittings*	Item No.
1/8" Brass Fittings	202314-B-QC
1/8" Stainless Steel Fittings	202314-SS-QC
1/4" Brass Fittings	202315-B-QC
1/4" Stainless Steel Fittings	202315-SS-QC

*Replacement Filters listed on page 24.



ZPure™ Glass PolyGas II Purifiers

The ZPure PolyGas II Purifier removes H₂O, CO₂, halogenated compounds, siloxanes, hydrocarbons (C5 and heavier), sulfur-containing molecules, and ammonia from inert gases, He, Ar, N₂, H₂, and clean dry air (CDA). It can be used to provide end-point detection for use with other ZPure Filters. The moisture indicator signals breakthrough when it changes from **BLUE** to **BROWN**. The ZPure Glass Filters and Purifiers are available with standard compression fittings or quick connect fittings in 1/4" and 1/8" brass and stainless steel.

Visit www.ChromRes.com for product specifications and additional information.

38 cc Filters

Compression Fittings	Item No.
1/8" Brass Fittings	202318-B
1/8" Stainless Steel Fittings	202318-SS
1/4" Brass Fittings	202319-B
1/4" Stainless Steel Fittings	202319-SS
Quick Connect Fittings*	Item No.
1/8" Brass Fittings	202318-B-QC
1/8" Stainless Steel Fittings	202318-SS-QC
1/4" Brass Fittings	202319-B-QC
1/4" Stainless Steel Fittings	202319-SS-QC

*Replacement Filters listed on page 24.



ZPure™ Glass O₂ Filters

The ZPure O₂ Filter removes O₂ to low ppb levels from He, Ar, N₂, or methane. The indicator signals oxygen breakthrough when the adsorbent changes from **GREEN** to **GREY**. The ZPure Glass Filters and Purifiers are available with standard compression fittings or quick connect fittings in 1/4" and 1/8" brass and stainless steel.

Visit www.ChromRes.com for product specifications and additional information.

10 cc Filters

Compression Fittings	Item No.
1/8" Brass Fittings	202236-B
1/8" Stainless Steel Fittings	202236-SS
1/4" Brass Fittings	202237-B
1/4" Stainless Steel Fittings	202237-SS

Quick Connect Fittings*	Item No.
1/8" Brass Fittings	202236-B-QC
1/8" Stainless Steel Fittings	202236-SS-QC
1/4" Brass Fittings	202237-B-QC
1/4" Stainless Steel Fittings	202237-SS-QC

*Replacement Filters listed on page 24.



ZPure™ Glass H₂O HSMI Filters

The ZPure H₂O HSMI Filter is for applications requiring high efficiency H₂O removal. The high sensitivity indicator signals breakthrough at 1 ppm H₂O and changes from **BLUE** to **BROWN**. The ZPure Glass Filters and Purifiers are available with standard compression fittings or quick connect fittings in 1/4" and 1/8" brass and stainless steel.

Visit www.ChromRes.com for product specifications and additional information.

46 cc Filters

Compression Fittings	Item No.
1/8" Brass Fittings	202283-B
1/8" Stainless Steel Fittings	202283-SS
1/4" Brass Fittings	202284-B
1/4" Stainless Steel Fittings	202284-SS

Quick Connect Fittings*	Item No.
1/8" Brass Fittings	202283-B-QC
1/8" Stainless Steel Fittings	202283-SS-QC
1/4" Brass Fittings	202284-B-QC
1/4" Stainless Steel Fittings	202284-SS-QC

*Replacement Filters listed on page 24.



BLOGables

Need help picking an indicator? Read more online at <https://www.ChromRes.com/blog/>

Useful and relevant discussions related to the GC industry including product information, troubleshooting, FAQ, and recommendations from our skilled experts.

Gas Purifiers & Filters



ZPure™ Glass H₂O Filters

The ZPure H₂O Filter removes H₂O to low ppb levels. The Co-Free H₂O indicator signals breakthrough at 5% relative humidity and changes from **GREEN** to **BLUE**. The ZPure Glass Filters and Purifiers are available with standard compression fittings or quick connect fittings in 1/4" and 1/8" brass and stainless steel.

Visit www.ChromRes.com for product specifications and additional information.

46 cc Filters

Compression Fittings	Item No.
1/8" Brass Fittings	202234-B
1/8" Stainless Steel Fittings	202234-SS
1/4" Brass Fittings	202235-B
1/4" Stainless Steel Fittings	202235-SS

Quick Connect Fittings*	Item No.
1/8" Brass Fittings	202234-B-QC
1/8" Stainless Steel Fittings	202234-SS-QC
1/4" Brass Fittings	202235-B-QC
1/4" Stainless Steel Fittings	202235-SS-QC

*Replacement Filters listed on page 24.



ZPure™ Glass H₂O / HC Filters

The ZPure H₂O / HC Filter removes H₂O and hydrocarbons (C5 and heavier) from dry air or inert gases. The Co-Free H₂O indicator signals breakthrough at 5% relative humidity and changes from **GREEN** to **BLUE**. The ZPure Glass H₂O / HC Filter is available with standard compression fittings or quick connect fittings in 1/4" and 1/8" brass and stainless steel.

Visit www.ChromRes.com for product specifications and additional information.

46 cc Filters

Compression Fittings	Item No.
1/8" Brass Fittings	202256-B
1/8" Stainless Steel Fittings	202256-SS
1/4" Brass Fittings	202257-B
1/4" Stainless Steel Fittings	202257-SS

Quick Connect Fittings*	Item No.
1/8" Brass Fittings	202256-B-QC
1/8" Stainless Steel Fittings	202256-SS-QC
1/4" Brass Fittings	202257-B-QC
1/4" Stainless Steel Fittings	202257-SS-QC

*Replacement Filters listed on page 24.



Did you know?

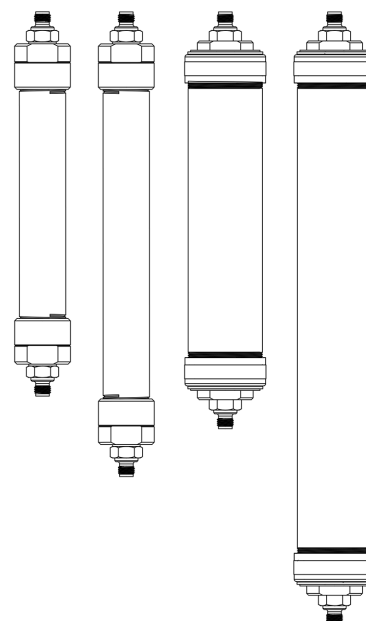
You can contact CRS for filter life estimations based on your specific laboratory environment.

SPure™ Inline Gas Filters - Plastic Body

- Moisture, oil, dust and hydrocarbon traps suitable for general purpose use
- High-strength polycarbonate and acrylic bodies with aluminum endcaps
- Available with standard brass and stainless steel compression fittings, quick connect fittings, and metal push-to-connect fittings
- Not recommended for house compressed air lines or for GC Carrier gases
- Not for use with hazardous, flammable, or reactive gases

*Filter lifetime is dependent on the quality of incoming gas and the flow rate.

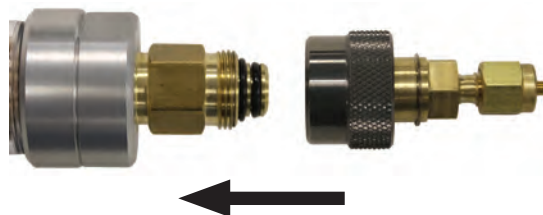
*For more detailed specifications on individual applications please contact CRS at Sales@ChromRes.com.



From Left to Right:
88 cc, 116 cc, 240 cc, 400 cc.



Compression Fittings seal well and can be broken and retightened many times if used properly. Compatible with industry standard ferrules and tubing.



Quick Connect Fittings are used for fast connections and replacements. They have superior seals that use O-rings and check valves to protect gas lines.



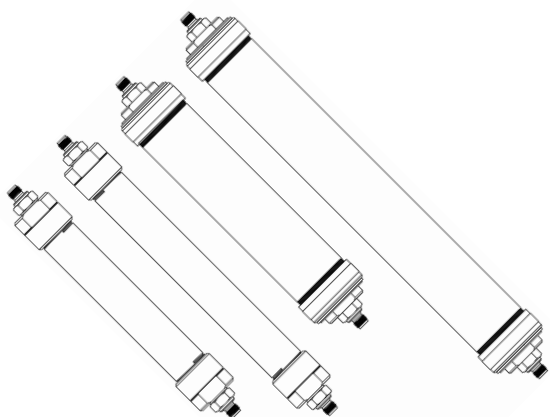
Push-to-Connect Fittings are used to connect plastic tubing with a quick and easy connection. Push-to-connect fittings have lower pressure ratings, and permeation through plastic tubing can have some effect on the ultimate purity level of the gas.

Filter Indicators shown in full capacity and depleted states.



CoFree™ Adsorbent:
Top: Full Capacity; Bottom: Depleted.

Gas Purifiers & Filters



SPure™ H₂O Filters

The SPure H₂O Filter removes moisture, oil and dust from air and inert gases. The cobalt-free moisture indicator signals breakthrough at 5% relative humidity and changes from **GREEN** to **BLUE**. The SPure H₂O Filter is available in an 88 cc tube, a long 116 cc tube, a 240 cc tube, and an extra large 400 cc tube (shown above from left to right). SPure Filters have the option of standard compression fittings and quick connect fittings in 1/4" and 1/8" brass and stainless steel, or metal push-to-connect fittings in 1/4" and 6 mm for plastic tubing and non-carrier gas lines.

Visit www.ChromRes.com for product specifications and additional information.

88 cc Filters

Compression Fittings	Item No.
1/8" Brass Fittings	202238-B
1/8" Stainless Steel Fittings	202238-SS
1/4" Brass Fittings	202239-B
1/4" Stainless Steel Fittings	202239-SS

Quick Connect Fittings*	Item No.
1/8" Brass Fittings	202238-B-QC
1/8" Stainless Steel Fittings	202238-SS-QC
1/4" Brass Fittings	202239-B-QC
1/4" Stainless Steel Fittings	202239-SS-QC

Push-to-Connect Fittings	Item No.
1/4" Nickel Plated Brass Fittings	202238-4-PC
6 mm Nickel Plated Brass Fittings	202238-6-PC

LS - 116 cc Filters

Compression Fittings	Item No.
1/8" Brass Fittings	202238L-B
1/8" Stainless Steel Fittings	202238L-SS

1/4" Brass Fittings	202239L-B
1/4" Stainless Steel Fittings	202239L-SS

Quick Connect Fittings*	Item No.
1/8" Brass Fittings	202238L-B-QC
1/8" Stainless Steel Fittings	202238L-SS-QC
1/4" Brass Fittings	202239L-B-QC
1/4" Stainless Steel Fittings	202239L-SS-QC

Push-to-Connect Fittings	Item No.
1/4" Nickel Plated Brass Fittings	202238L-4-PC
6 mm Nickel Plated Brass Fittings	202238L-6-PC

DS - 240 cc Filters

Compression Fittings	Item No.
1/8" Brass Fittings	202238D-B
1/8" Stainless Steel Fittings	202238D-SS
1/4" Brass Fittings	202239D-B
1/4" Stainless Steel Fittings	202239D-SS

Quick Connect Fittings*	Item No.
1/8" Brass Fittings	202238D-B-QC
1/8" Stainless Steel Fittings	202238D-SS-QC
1/4" Brass Fittings	202239D-B-QC
1/4" Stainless Steel Fittings	202239D-SS-QC

Push-to-Connect Fittings	Item No.
1/4" Nickel Plated Brass Fittings	202238D-4-PC
6 mm Nickel Plated Brass Fittings	202238D-6-PC

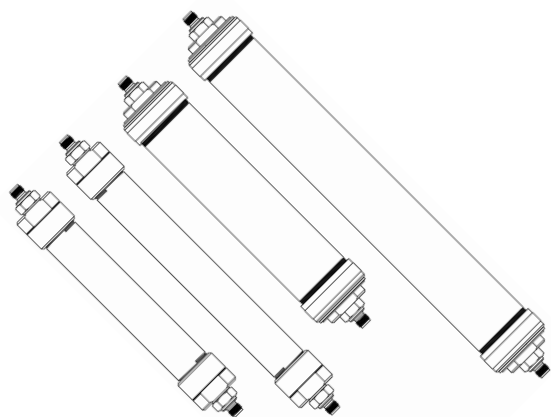
XLS - 400 cc Filters

Compression Fittings	Item No.
1/8" Brass Fittings	202238XL-B
1/8" Stainless Steel Fittings	202238XL-SS
1/4" Brass Fittings	202239XL-B
1/4" Stainless Steel Fittings	202239XL-SS

Quick Connect Fittings*	Item No.
1/8" Brass Fittings	202238XL-B-QC
1/8" Stainless Steel Fittings	202238XL-SS-QC
1/4" Brass Fittings	202239XL-B-QC
1/4" Stainless Steel Fittings	202239XL-SS-QC

Push-to-Connect Fittings	Item No.
1/4" Nickel Plated Brass Fittings	202238XL-4-PC
6 mm Nickel Plated Brass Fittings	202238XL-6-PC

*Replacement Filters listed on page 24.



SPure™ H₂O/HC Filters

The SPure H₂O/HC Filter removes moisture, oil, dust, and hydrocarbons (C5 and heavier) from dry air and inert gases. The cobalt-free moisture indicator signals breakthrough at 5% relative humidity and changes from **GREEN** to **BLUE**. The SPure H₂O/HC Filter is available in an 88 cc tube, a long 116 cc tube, a 240 cc tube, and an extra large 400 cc tube (shown above from left to right). SPure Filters have the option of standard compression fittings and quick connect fittings in 1/4" and 1/8" brass and stainless steel, or metal push-to-connect fittings in 1/4" and 6 mm for plastic tubing and non-carrier gas lines.

Visit www.ChromRes.com for product specifications and additional information.

88 cc Filters

Compression Fittings	Item No.
1/8" Brass Fittings	202324-B
1/8" Stainless Steel Fittings	202324-SS
1/4" Brass Fittings	202325-B
1/4" Stainless Steel Fittings	202325-SS

Quick Connect Fittings*	Item No.
1/8" Brass Fittings	202324-B-QC
1/8" Stainless Steel Fittings	202324-SS-QC
1/4" Brass Fittings	202325-B-QC
1/4" Stainless Steel Fittings	202325-SS-QC

Push-to-Connect Fittings	Item No.
1/4" Nickel Plated Brass Fittings	202324-4-PC
6 mm Nickel Plated Brass Fittings	202324-6-PC

LS - 116 cc Filters

Compression Fittings	Item No.
1/8" Brass Fittings	202324L-B
1/8" Stainless Steel Fittings	202324L-SS

www.ChromRes.com

1/4" Brass Fittings	202325L-B
1/4" Stainless Steel Fittings	202325L-SS

Quick Connect Fittings*	Item No.
1/8" Brass Fittings	202324L-B-QC
1/8" Stainless Steel Fittings	202324L-SS-QC
1/4" Brass Fittings	202325L-B-QC
1/4" Stainless Steel Fittings	202325L-SS-QC

Push-to-Connect Fittings	Item No.
1/4" Nickel Plated Brass Fittings	202324L-4-PC
6 mm Nickel Plated Brass Fittings	202324L-6-PC

DS - 240 cc Filters

Compression Fittings	Item No.
1/8" Brass Fittings	202324D-B
1/8" Stainless Steel Fittings	202324D-SS
1/4" Brass Fittings	202325D-B
1/4" Stainless Steel Fittings	202325D-SS

Quick Connect Fittings*	Item No.
1/8" Brass Fittings	202324D-B-QC
1/8" Stainless Steel Fittings	202324D-SS-QC
1/4" Brass Fittings	202325D-B-QC
1/4" Stainless Steel Fittings	202325D-SS-QC

Push-to-Connect Fittings	Item No.
1/4" Nickel Plated Brass Fittings	202324D-4-PC
6 mm Nickel Plated Brass Fittings	202324D-6-PC

XLS - 400 cc Filters

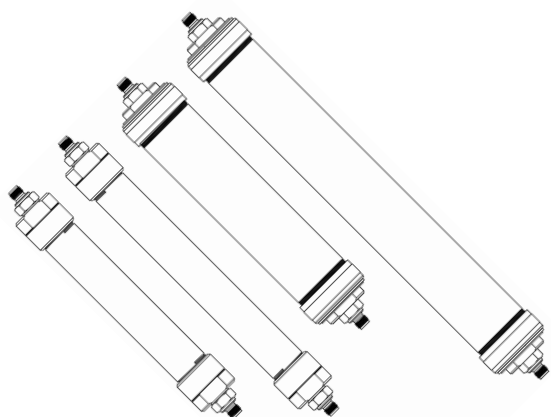
Compression Fittings	Item No.
1/8" Brass Fittings	202324XL-B
1/8" Stainless Steel Fittings	202324XL-SS
1/4" Brass Fittings	202325XL-B
1/4" Stainless Steel Fittings	202325XL-SS

Quick Connect Fittings*	Item No.
1/8" Brass Fittings	202324XL-B-QC
1/8" Stainless Steel Fittings	202324XL-SS-QC
1/4" Brass Fittings	202325XL-B-QC
1/4" Stainless Steel Fittings	202325XL-SS-QC

Push-to-Connect Fittings	Item No.
1/4" Nickel Plated Brass Fittings	202324XL-4-PC
6 mm Nickel Plated Brass Fittings	202324XL-6-PC

*Replacement Filters listed on page 24.

Gas Purifiers & Filters



SPure™ HC Filters

The SPure HC Filter removes hydrocarbons (C5 and heavier) from dry air and inert gases. The SPure HC Filter is available in an 88 cc tube, a long 116 cc tube, a 240 cc tube, and an extra large 400 cc tube (shown above from left to right). SPure Filters have the option of standard compression fittings and quick connect fittings in 1/4" and 1/8" brass and stainless steel, or metal push-to-connect fittings in 1/4" and 6 mm for plastic tubing and non-carrier gas lines.

Visit www.ChromRes.com for product specifications and additional information.

88 cc Filters

Compression Fittings	Item No.
1/8" Brass Fittings	202326-B
1/8" Stainless Steel Fittings	202326-SS
1/4" Brass Fittings	202327-B
1/4" Stainless Steel Fittings	202327-SS

Quick Connect Fittings*	Item No.
1/8" Brass Fittings	202326-B-QC
1/8" Stainless Steel Fittings	202326-SS-QC
1/4" Brass Fittings	202327-B-QC
1/4" Stainless Steel Fittings	202327-SS-QC

Push-to-Connect Fittings	Item No.
1/4" Nickel Plated Brass Fittings	202326-4-PC
6 mm Nickel Plated Brass Fittings	202326-6-PC

LS - 116 cc Filters

Compression Fittings	Item No.
1/8" Brass Fittings	202326L-B
1/8" Stainless Steel Fittings	202326L-SS

1/4" Brass Fittings	202327L-B
1/4" Stainless Steel Fittings	202327L-SS

Quick Connect Fittings*	Item No.
1/8" Brass Fittings	202326L-B-QC
1/8" Stainless Steel Fittings	202326L-SS-QC
1/4" Brass Fittings	202327L-B-QC
1/4" Stainless Steel Fittings	202327L-SS-QC

Push-to-Connect Fittings	Item No.
1/4" Nickel Plated Brass Fittings	202326L-4-PC
6 mm Nickel Plated Brass Fittings	202326L-6-PC

DS - 240 cc Filters

Compression Fittings	Item No.
1/8" Brass Fittings	202326D-B
1/8" Stainless Steel Fittings	202326D-SS
1/4" Brass Fittings	202327D-B
1/4" Stainless Steel Fittings	202327D-SS

Quick Connect Fittings*	Item No.
1/8" Brass Fittings	202326D-B-QC
1/8" Stainless Steel Fittings	202326D-SS-QC
1/4" Brass Fittings	202327D-B-QC
1/4" Stainless Steel Fittings	202327D-SS-QC

Push-to-Connect Fittings	Item No.
1/4" Nickel Plated Brass Fittings	202326D-4-PC
6 mm Nickel Plated Brass Fittings	202326D-6-PC

XLS - 400 cc Filters

Compression Fittings	Item No.
1/8" Brass Fittings	202326XL-B
1/8" Stainless Steel Fittings	202326XL-SS
1/4" Brass Fittings	202327XL-B
1/4" Stainless Steel Fittings	202327XL-SS

Quick Connect Fittings*	Item No.
1/8" Brass Fittings	202326XL-B-QC
1/8" Stainless Steel Fittings	202326XL-SS-QC
1/4" Brass Fittings	202327XL-B-QC
1/4" Stainless Steel Fittings	202327XL-SS-QC

Push-to-Connect Fittings	Item No.
1/4" Nickel Plated Brass Fittings	202326XL-4-PC
6 mm Nickel Plated Brass Fittings	202326XL-6-PC

*Replacement Filters listed on page 24.

Quick Connect Cartridge Replacements

Quick Connect Fittings are used for fast connections and replacements. Once you have ordered a filter with a quick connect fittings kit, you can then order replacement cartridges at a reduced price. They have superior seals that use o-rings and check valves to protect gas lines.

Visit www.ChromRes.com for product specifications and additional information.



ZPure™ Stainless Steel Filter Quick Connect Cartridge Replacements



O ₂ Filters	Brass Fitting Kits	SS Fitting Kits
130 cc Filter	202RO2-B-QC	202RO2-SS-QC

H ₂ O Filters	Brass Fitting Kits	SS Fitting Kits
130 cc Filter	202RH2-B-QC	202RH2-SS-QC
475 cc Filter	202RH2L-B-QC	202RH2L-SS-QC
500 cc Filter	202RH2D-B-QC	202RH2D-SS-QC
750 cc Filter	202RH2XL-B-QC	202RH2XL-SS-QC

HC Filters	Brass Fitting Kits	SS Fitting Kits
130 cc Filter	202RHC-B-QC	202RHC-SS-QC
475 cc Filter	202RHCL-B-QC	202RHCL-SS-QC
500 cc Filter	202RHCD-B-QC	202RHCD-SS-QC
750 cc Filter	202RHCXL-B-QC	202RHCXL-SS-QC

O ₂ / H ₂ O Filters	Brass Fitting Kits	SS Fitting Kits
130 cc Filter	202ROH-B-QC	202ROH-SS-QC
475 cc Filter	202ROHL-B-QC	202ROHL-SS-QC
500 cc Filter	202ROHD-B-QC	202ROHD-SS-QC
750 cc Filter	202ROHXL-B-QC	202ROHXL-SS-QC

CO ₂ Filters	Brass Fitting Kits	SS Fitting Kits
130 cc Filter	202RCO-B-QC	202RCO-SS-QC
475 cc Filter	202RCOL-B-QC	202RCOL-SS-QC
500 cc Filter	202RCOD-B-QC	202RCOD-SS-QC
750 cc Filter	202RCOXL-B-QC	202RCOXL-SS-QC

PolyGas I	Brass Fitting Kits	SS Fitting Kits
130 cc Filter	202RP1-B-QC	202RP1-SS-QC
475 cc Filter	202RP1L-B-QC	202RP1L-SS-QC
500 cc Filter	202RP1D-B-QC	202RP1D-SS-QC
750 cc Filter	202RP1XL-B-QC	202RP1XL-SS-QC

PolyGas II	Brass Fitting Kits	SS Fitting Kits
130 cc Filter	202RP2-B-QC	202RP2-SS-QC
475 cc Filter	202RP2L-B-QC	202RP2L-SS-QC
500 cc Filter	202RP2D-B-QC	202RP2D-SS-QC
750 cc Filter	202RP2XL-B-QC	202RP2XL-SS-QC



Did you know?

Our quality leak checks guarantee ultra-high purity outlet gas.

Quick Connect Cartridge Replacements

Quick Connect Fittings are used for fast connections and replacements. Once you have ordered a filter with a quick connect fittings kit, you can then order replacement cartridges at a reduced price. They have superior seals that use o-rings and check valves to protect gas lines.

Visit www.ChromRes.com for product specifications and additional information.



ZPure™ Glass Filter Quick Connect Cartridge Replacements



PolyGas I	Brass Fitting Kits	SS Fitting Kits
38 cc Purifier	202314RP-B-QC	202314RP-SS-QC

PolyGas II	Brass Fitting Kits	SS Fitting Kits
38 cc Purifier	202318RP-B-QC	202318RP-SS-QC

O ₂	Brass Fitting Kits	SS Fitting Kits
10 cc Filter	202236RP-B-QC	202236RP-SS-QC

H ₂ O HSMI	Brass Fitting Kits	SS Fitting Kits
46 cc Filter	202283RP-B-QC	202283RP-SS-QC

H ₂ O	Brass Fitting Kits	SS Fitting Kits
46 cc Filter	202234RP-B-QC	202234RP-SS-QC

H ₂ O / HC	Brass Fitting Kits	SS Fitting Kits
46 cc Filter	202256RP-B-QC	202256RP-SS-QC

SPure™ Filter Quick Connect Cartridge Replacements



SPure H ₂ O	Brass Fitting Kits	SS Fitting Kits
88 cc Filter	202238RP-B-QC	202238RP-SS-QC
116 cc Filter	202238LRP-B-QC	202238LRP-SS-QC
240 cc Filter	202238DRP-B-QC	202238DRP-SS-QC
400 cc Filter	202238XLRP-B-QC	202238XLRP-SS-QC

SPure H ₂ O/HC	Brass Fitting Kits	SS Fitting Kits
88 cc Filter	202324RP-B-QC	202324RP-SS-QC
116 cc Filter	202324LRP-B-QC	202324LRP-SS-QC
240 cc Filter	202324DRP-B-QC	202324DRP-SS-QC
400 cc Filter	202324XLRP-B-QC	202324XLRP-SS-QC

SPure HC	Brass Fitting Kits	SS Fitting Kits
88 cc Filter	202326RP-B-QC	202326RP-SS-QC
116 cc Filter	202326LRP-B-QC	202326LRP-SS-QC
240 cc Filter	202326DRP-B-QC	202326DRP-SS-QC
400 cc Filter	202326XLRP-B-QC	202326XLRP-SS-QC

CRS Legacy Purifiers

CRS has several standard inline purifiers that are known as the Legacy Line. They are sturdy metal cylinders that are recognized for their high pressure ratings, large capacities, and exceptional efficiency. The Legacy Line includes contaminant-specific models for removal of oxygen, moisture, hydrocarbons, and carbon dioxide from the gas stream. The Stainless Steel ZPure Filters are recommended as upgrades to these purifiers.

*Purifier lifetime is dependent on the quality of incoming gas and the flow rate.

*For more detailed specifications on individual applications please contact CRS at Sales@ChromRes.com.



Model 1000 Oxygen Purifiers

The Model 1000 is a high capacity O₂ filter, for long term protection of capillary column stationary phases against oxidation at GC operating temperatures. The Model 1000 is intended for use with non-oxidizing gases such as He, Ar, N₂, H₂ or CH₄, containing less than 0.1% oxygen. The adsorbent binds covalently with oxygen; no gas is generated from this reaction. The filters are available with standard compression fittings in 1/4" and 1/8" brass and stainless steel.

Visit www.ChromRes.com for product specifications and additional information.

500 cc

Compression Fittings	Item No.
1/8" Brass Fittings	202200-B
1/4" Brass Fittings	202202-B
1/8" Stainless Fittings	202200-SS
1/4" Stainless Fittings	202202-SS

Model 500 Molecular Sieve Drying Purifiers

The Model 500 is a high capacity H₂O filter that reduces moisture to low ppb levels. It is recommended for detector support gases and carrier gases. The filters are available with standard compression fittings in 1/4" and 1/8" brass and stainless steel.

Visit www.ChromRes.com for product specifications and additional information.

500 cc

Compression Fittings	Item No.
1/8" Brass Fittings	202270-B
1/4" Brass Fittings	202272-B
1/8" Stainless Fittings	202270-SS
1/4" Stainless Fittings	202272-SS

Gas Purifiers & Filters



Did you know?

CRS developed the ZPure Line as an upgrade to the Legacy Purifiers? ZPure Filters and Purifiers have improved safety features, advanced sealing technology, and various size and fitting configurations.



Model 300 High Pressure Hydrocarbon Purifiers

The Model 300 Purifier is a high capacity HC filter that removes hydrocarbons (C5 and heavier) to low ppb levels. It can be used for your FID air and H₂ lines to minimize noise and extraneous peaks in the signal. It is also recommended for use with purge and trap apparatuses, and with GC carrier gases for trace analysis. The filters are available with standard compression fittings in 1/4" and 1/8" brass and stainless steel.

Visit www.ChromRes.com for product specifications and additional information.

500 cc

Compression Fittings	Item No.
1/8" Brass Fittings	202330-B
1/4" Brass Fittings	202332-B
1/8" Stainless Fittings	202330-SS
1/4" Stainless Fittings	202332-SS



Carbon Dioxide Purifiers

The Carbon Dioxide Purifier is a high capacity filter that removes CO₂ from the gas stream to low ppb levels. This filter will irreversibly bind the CO₂; the reaction will create moisture which is adsorbed by the molecular sieve. When downstream water is a concern, it is recommended to use a second moisture purifier in line as well. The Carbon Dioxide Purifier is not recommended for GC use. The filters are available with standard compression fittings in 1/4" and 1/8" brass and stainless steel.

Visit www.ChromRes.com for product specifications and additional information.

500 cc

Compression Fittings	Item No.
1/8" Brass Fittings	202350-B
1/4" Brass Fittings	202352-B
1/8" Stainless Fittings	202350-SS
1/4" Stainless Fittings	202352-SS



Ferrules

Graphite Ferrules	30-32
Vespel® Ferrules	33-34
Vespel®/Graphite Ferrules (60% / 40%)	35-36
Vespel®/Graphite Ferrules (85% / 15%)	37-38
PTFE Ferrules	39

Ferrules

Graphite Ferrules

Graphite ferrules are made from high-purity exfoliated graphite. They seal with minimal torque and can frequently be re-used. They do not shrink in use, but they are very soft and must be packed and handled carefully.



Straight Ferrules - for tubing with ODs listed	Item No
1/16", 10/pk	211100
1/8", 10/pk	211200
1/4", 10/pk	211400
3/8", 10/pk	211600
1/2", 5/pk	211800
3/4", 5/pk	211120



Blank Ferrules - no holes	Item No
1/16", 10/pk	2111XX
1/8", 10/pk	2112XX
1/4", 10/pk	2114XX



Capillary Column Ferrules	For Capillary Sizes - ID	Item No
1/16" to 0.4 mm, 10/pk	0.25 mm	211104
1/16" to 0.5 mm, 10/pk	0.32 mm	211105
1/16" to 0.8 mm, 10/pk	0.53 mm	211108
1/16" to 1.0 mm, 10/pk	0.65 mm	211110
1/16" to 1.2 mm, 10/pk	0.75 mm	211112
1/16", two hole 0.5 mm; each	0.32 mm	211125



Short Ferrules for Agilent Inlets*	For Capillary Sizes - ID	Item No
1/16" to 0.4 mm, 10/pk	0.10 - 0.25 mm	211164
1/16" to 0.5 mm, 10/pk	0.32 mm	211165
1/16" to 0.8 mm, 10/pk	0.45 - 0.53 mm	211168
1/16" to 1.0 mm, 10/pk	0.53 - 0.65 mm	211160

*short ferrules for Agilent inlet systems: 5890, 6890 and 7890.



1/16" to 1/16" Straight Ferrule, 10/pk	1/16" OD	211170
--	----------	--------



Reducing Ferrules for Capillary Columns	For Capillary Sizes - ID	Item No
1/8" to 0.4 mm, 10/pk	0.25 mm	211204
1/8" to 0.5 mm, 10/pk	0.32 mm	211205
1/8" to 0.8 mm, 10/pk	0.53 mm	211208
1/8", two hole 0.5 mm; each	0.32 mm	211222
1/4" to 0.5 mm, 10/pk	0.32 mm	211405
1/4" to 0.8 mm, 10/pk	0.53 mm	211408



Reducing Ferrules for Tubing	For Tubing Sizes - OD	Item No
1/8" to 1/16", 10/pk	1/16"	211210
1/4" to 4 mm, 10/pk	4 mm	211440
1/4" to 6 mm, 10/pk	6 mm	211406
1/4" to 1/16", 10/pk	1/16"	211410
1/4" to 1/8", 10/pk	1/8"	211420



Shimadzu Ferrule	Item No
5 mm, Shimadzu 5 mm OD columns, 10/pk	211500



Shimadzu Capillary Column Ferrules	For Capillary Sizes - ID	Item No
Shimadzu 17A, 2010 & 2014 GCs 0.4 mm, 10/pk	0.25 mm and less	211174
Shimadzu 17A, 2010 & 2014 GCs 0.5 mm, 10/pk	0.32 mm	211175
Shimadzu 17A, 2010 & 2014 GCs 0.8 mm, 10/pk	0.53 mm	211178



Thermo Instrument Ferrules - M8 Nut	Item No
0.5 mm ID, 10/pk	211905
0.8 mm ID, 10/pk	211908



Thermo Instrument Cup Ferrules - M4 Nut	For Capillary Sizes - ID	Item No
0.28 mm ID, 10/pk	0.10 mm	211982-10
0.38 mm ID, 10/pk	0.25 mm	211983-10
0.48 mm ID, 10/pk	0.32 mm	211984-10
0.80 mm ID, 10/pk	0.53 mm	211988-10

Ferrules

GC Inlet Liner Seals; O-rings - Graphite and Fluoroelastomer



For Agilent Instruments	Item No
Graphite Liner Seal, 6.35 mm ID, 10/pk	216635
Graphite Liner Seal, 6.52 mm ID, 10/pk	216652
O-ring made of Fluoroelastomer, 12/pk	216973



For Bruker (Former Varian) Instruments 1078/1079	Item No
Graphite Liner Ferrule, 10/pk	211550



For PerkinElmer Instruments	Item No
Graphite O-Ring, 10/pk	216637



For Shimadzu Instruments	Item No
Graphite Liner Seal, 10/pk	211195
Graphite O-ring, Split, 10/pk	216638
Graphite O-ring, Spiltless, 10/pk	216639



For Thermo Instruments Trace GC	Item No
5 mm Graphite Seal, 2/pk	216949
8 mm Graphite Seal, each	216948

Vespel® Ferrules (SP-1)

Vespel ferrules are made from high temperature Dupont polyimide, a hard polymeric material that tends to seal permanently to capillary columns when in use.



Straight Ferrules - for tubing with ODs listed	Item No
1/16", 10/pk	212100
1/8", 10/pk	212200
1/4", 10/pk	212400



Blank Ferrules - no holes	Item No
1/16", 10/pk	2121XX
1/8", 10/pk	2122XX
1/4", 10/pk	2124XX



Capillary Column Ferrules	For Capillary Sizes - ID	Item No
1/16" to 0.3 mm, 10/pk	0.10 mm	212103
1/16" to 0.4 mm, 10/pk	0.18 - 0.25 mm	212104
1/16" to 0.5 mm, 10/pk	0.32 mm	212105
1/16" to 0.8 mm, 10/pk	0.53 mm	212108
1/16" to 1.0 mm, 10/pk	0.65 mm	212110
1/16" to 1.2 mm, 10/pk	0.75 mm	212112
1/16", two hole 0.4 mm; each	0.25 mm	212124
1/16", two hole 0.5 mm; each	0.32 mm	212125



Short Ferrules for Agilent Inlets*	For Capillary Sizes - ID	Item No
1/16" to 0.4 mm, 10/pk	0.25 mm	212164
1/16" to 0.5 mm, 10/pk	0.32 mm	212165
1/16" to 0.8 mm, 10/pk	0.53 mm	212168

*Short ferrules for Agilent inlet systems: 5890, 6890 and 7890

Ferrules



Reducing Ferrules for Capillary Columns	For Capillary Sizes - ID	Item No
1/8" to 0.4 mm, 10/pk	0.25 mm	212204
1/8" to 0.5 mm, 10/pk	0.32 mm	212205
1/8" to 0.8 mm, 10/pk	0.53 mm	212208
1/8", two-hole, 0.5 mm each	0.32 mm	212222



Reducing Ferrules for Tubing	For Tubing Sizes - OD	Item No
1/8" to 1/16", 10/pk	1/16"	212210
1/4" to 1/16", 10/pk	1/16"	212410
1/4" to 1/8", 10/pk	1/8"	212420

Please note general ferrule sizing:

- 0.3 mm ID ferrules fit 0.18 mm ID capillary columns
- 0.4 mm ID ferrules fit 0.25 mm ID capillary columns
- 0.5 mm ID ferrules fit 0.32 mm ID capillary columns
- 0.8 mm ID ferrules fit 0.53 mm ID capillary columns
- Straight ferrules are used for packed columns

Vespel®/Graphite Ferrules - SP-22 (60% / 40%)

Vespel/Graphite ferrules are made from DuPont polyimide/graphite blended compounds. They are ideal for GC/MS interface applications because they are non-porous to oxygen. They seal with minimal torque and are not re-usable. Due to slight shrinking at high temperatures, they must be retightened after initial temperature cycles to avoid leaks. Two types of Vespel/Graphite are commonly used, one with 40% graphite and one with 15% graphite (page 37).



Straight Ferrules - for tubing with ODs listed	Item No
1/16", 10/pk	213100
1/8", 10/pk	213200
1/4", 10/pk	213400
1/2", 5/pk	213800



Blank Ferrules - no holes	Item No
1/16", 10/pk	2131XX
1/8", 10/pk	2132XX
1/4", 10/pk	2134XX



Capillary Column Ferrules	For Capillary Sizes - ID	Item No
1/16" to 0.3 mm, 10/pk	0.10 mm	213103
1/16" to 0.4 mm, 10/pk	0.18 - 0.25 mm	213104
1/16" to 0.5 mm, 10/pk	0.32 mm	213105
1/16" to 0.8 mm, 10/pk	0.53 mm	213108
1/16" to 1.0 mm, 10/pk	0.65 mm	213110
1/16", two hole 0.4 mm; each	0.25 mm	213124
1/16", two hole 0.5 mm; each	0.32 mm	213125



Short Ferrules for Agilent Inlet*	For Capillary Sizes - ID	Item No
1/16" to 0.3 mm, 10/pk	0.10 - 0.18 mm	213163
1/16" to 0.4 mm, 10/pk	0.25 mm	213164
1/16" to 0.5 mm, 10/pk	0.32 mm	213165
1/16" to 0.8 mm, 10/pk	0.53 mm	213168

*Short ferrules for Agilent Inlet systems: 5890, 6890 and 7890

Ferrules



Reducing Ferrules for Capillary Columns	For Capillary Sizes - ID	Item No
1/8" to 0.4 mm, 10/pk	0.25 mm	213204
1/8" to 0.5 mm, 10/pk	0.32 mm	213205
1/8" to 0.8 mm, 10/pk	0.53 mm	213208
1/8", two-holes 0.5 mm, each	0.32 mm	213222
1/8", two-holes 0.8 mm, each	0.53 mm	213228
1/4" to 0.4 mm, 10/pk	0.25 mm	213404
1/4" to 0.5 mm, 10/pk	0.32 mm	213405
1/4" to 0.8 mm, 10/pk	0.53 mm	213408



Reducing Ferrules for Tubing	For Tubing Sizes - OD	Item No
1/8" to 1/16", 10/pk	1/16"	213210
1/4" to 1/16", 10/pk	1/16"	213410
1/4" to 6 mm, 10/pk	6 mm	213406
1/4" to 1/8", 10/pk	1/8"	213420

Vespel®/Graphite Ferrules - SP-21 (85% / 15%)

Vespel/Graphite ferrules are made from DuPont polyimide/graphite blended compounds. They are ideal for GC/MS interface applications because they are non-porous to oxygen. They seal with minimal torque and are not re-usable. Due to slight shrinking at high temperatures, they must be retightened after initial temperature cycles to avoid leaks. Two types of Vespel/Graphite are commonly used, one with 40% graphite (page 35) and one with 15% graphite.



Straight Ferrules - for tubing with ODs listed	Item No
1/16", 10/pk	215100
1/8", 10/pk	215200
1/4", 10/pk	215400



Blank Ferrules - no holes	Item No
1/16", 10/pk	2151XX
1/8", 10/pk	2152XX
1/4", 10/pk	2154XX



Capillary Column Ferrules	For Capillary Sizes - ID	Item No
1/16" to 0.3 mm, 10/pk	0.10 mm	215103
1/16" to 0.4 mm, 10/pk	0.18 - 0.25 mm	215104
1/16" to 0.5 mm, 10/pk	0.32 mm	215105
1/16" to 0.8 mm, 10/pk	0.53 mm	215108
1/16" to 1.0 mm, 10/pk	0.65 mm	215110
1/16", two hole 0.4 mm; each	0.25 mm	215124
1/16", two hole 0.5 mm; each	0.32 mm	215125



Short Ferrules for Agilent Inlet*	For Capillary Sizes - ID	Item No
1/16" to 0.4 mm, 10/pk	0.10 - 0.25 mm	215164
1/16" to 0.5 mm, 10/pk	0.32 mm	215165
1/16" to 0.8 mm, 10/pk	0.53 mm	215168

*Short ferrules for Agilent Inlet systems: 5890, 6890 and 7890

Ferrules



Reducing Ferrules for Capillary Columns	For Capillary Sizes - ID	Item No
1/8" to 0.4 mm, 10/pk	0.25 mm	215204
1/8" to 0.5 mm, 10/pk	0.32 mm	215205
1/8" to 0.8 mm, 10/pk	0.53 mm	215208



Reducing Ferrules for Tubing	For Tubing Sizes - OD	Item No
1/8" to 1/16", 10/pk	1/16"	215210

PTFE Ferrules

PTFE ferrules are made from 100% PTFE. They are soft and completely inert. PTFE ferrules are commonly used in liquid applications.



Straight Ferrules - for tubing with ODs listed	Item No
1/16", 10/pk	214100
1/8", 10/pk	214200
3/16", 10/pk	214300
1/4", 10/pk	214400



Blank Ferrules - no holes	Item No
1/16", 10/pk	2141XX
1/8", 10/pk	2142XX
1/4", 10/pk	2144XX



Capillary Column Ferrules	For Capillary Sizes - ID	Item No
1/16" to 0.3 mm, 10/pk	0.10 mm	214103
1/16" to 0.4 mm, 10/pk	0.18 - 0.25 mm	214104
1/16" to 0.5 mm, 10/pk	0.32 mm	214105
1/16" to 0.8 mm, 10/pk	0.53 mm	214108
1/16" to 1.0 mm, 10/pk	0.65 mm	214110
1/16" to 1.2 mm, 10/pk	0.75 mm	214112



Reducing Ferrules for Capillary Columns	For Capillary Sizes - ID	Item No
1/8" to 0.4 mm, 10/pk	0.25 mm	214204
1/8" to 0.5 mm, 10/pk	0.32 mm	214205
1/8" to 0.8 mm, 10/pk	0.53 mm	214208



Reducing Ferrules for Tubing	For Tubing Sizes - OD	Item No
1/8" to 1/16", 10/pk	1/16"	214210
1/4" to 6 mm, 10/pk	6 mm	214406
1/4" to 1/16", 10/pk	1/16"	214410
1/4" to 1/8", 10/pk	1/8"	214420
1/4" to 3/16", 10/pk	3/16"	214430

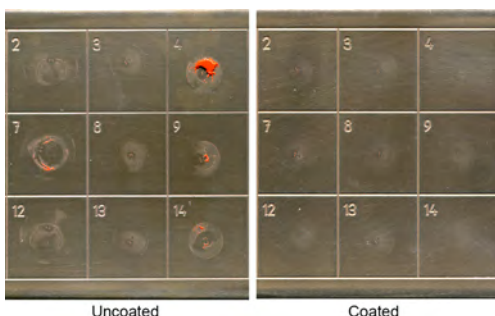
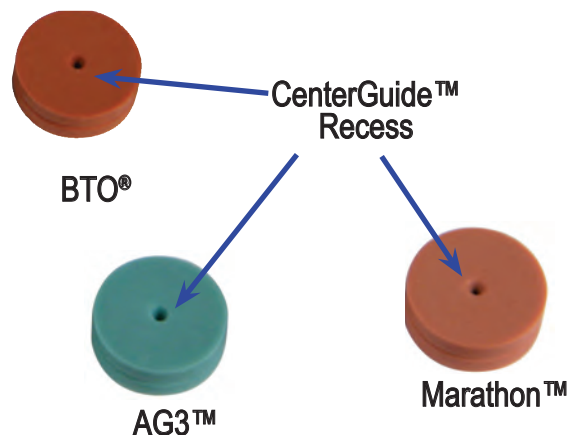


GC Septa

Premium Septa	42-45
BTO [®]	43
AG3 [™]	44
Marathon [™]	45
General Purpose Septa	46-47
Economy Blue	46
Puresep T [™]	46
Puresep P [™]	47

Premium Septa

Premium Septa are preconditioned for low bleed, plasma-coated to reduce sticking and are packed in glass jars for high purity. Premium septa are precision molded to ensure an accurate fit.



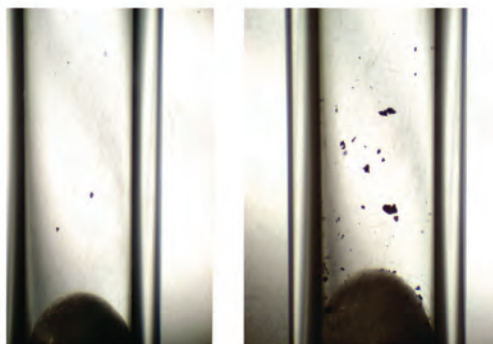
High Temperature Performance

Accelerated high-temperature tests show adhesion of silicone rubber formulations to a steel plate, with and without the CRS Non-stick coating. The difference in adhesion is readily apparent. In actual use this performance means easier septum removal and less injection port cleanup.

Exposed to Dust		Cleaned with Air	
Uncoated	Coated	Uncoated	Coated

Plasma Coating

- Non-stick surface treatment
- Easy to change, even after high-temperature use
- Stays clean, does not attract dust



Centerguide™ and pre-pierced

Non-Centerguide™ and non-pierced

CenterGuide™ & Pre-pierced Advantage

- Center point guides the needle for easy penetration
- Reduces needle bending
- Reduces coring and tearing

Premium septa are precision-molded with a recess on the injection side, to guide the syringe needle to the same point with every injection. The CenterGuide™ design requires less force on initial penetration for a smoother feel. Pre-pierced septa give long injection life for autosampling, reduce coring, and enhance reliable performance.

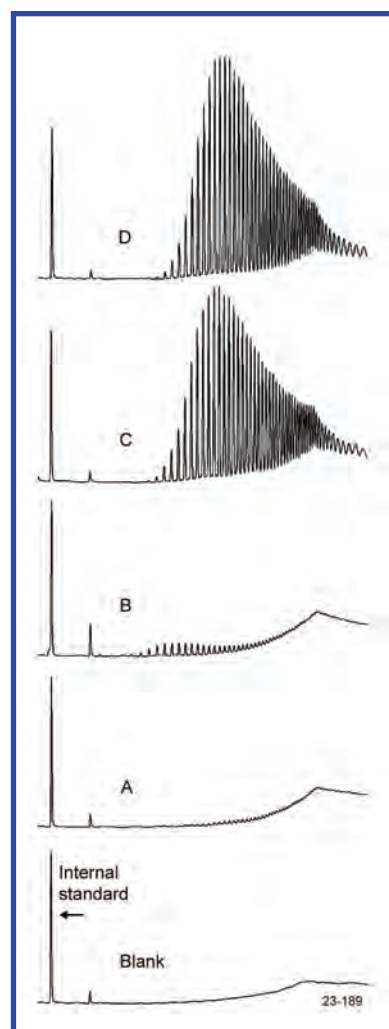
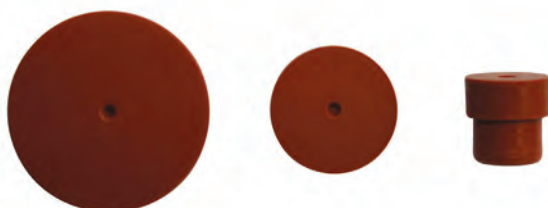


Septa BTO®

Septa BTO is *Bleed and Temperature Optimized* for today's most demanding GC and GC/MS applications. Septa BTO is formulated to extend low-bleed and outstanding mechanical properties of premium GC septa to the highest-temperature applications. It retains remarkable softness and pierceability at high temperatures, with extremely low bleed. Septa BTO are packaged in glass jars for high purity. CenterGuide™ on select sizes are listed.



Description	Qty	Item No.
5 mm CenterGuide™	50/pk	298787
6 mm (1/4")	50/pk	298755
9 mm CenterGuide	50/pk	298713
9.5 mm (3/8")	50/pk	298705
10 mm	50/pk	298745
11 mm (7/16") CenterGuide	50/pk	298717
11 mm (7/16") CenterGuide	100/pk	298718
11.5 mm CenterGuide	50/pk	298777
12.7 mm (1/2") CenterGuide	50/pk	298727
17 mm CenterGuide	50/pk	298817
Shimadzu	50/pk	298735



Septa BTO has the lowest bleed of any septa we have tested. Solvent extracts of residual silicones:

- A) BTO®
- B) AG3™
- C) Competitor's high-temp red septa
- D) Competitor's low-bleed green septa

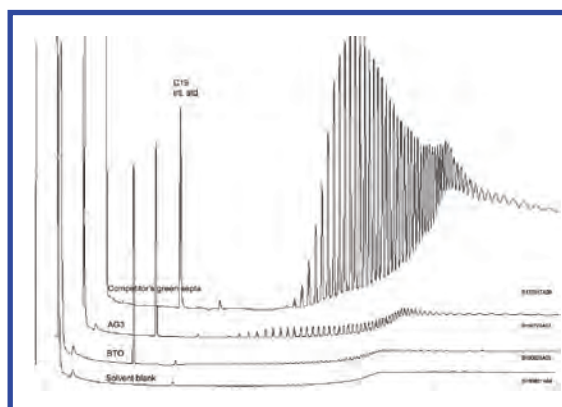
Premium Septa



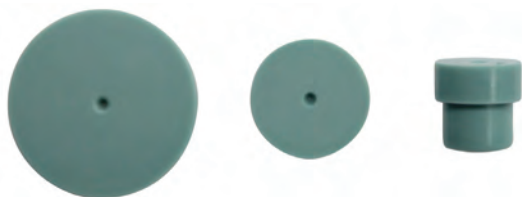
Advanced Green 3™

The CRS Advanced Green 3 Septum was specifically created to combine significantly longer injection life, low bleed and low injection port adhesion. The result is a green septum that can be used for all critical analyses. Advanced Green 3 Septa are packaged in glass jars for high purity. CenterGuide™ on select sizes are listed.

Description	Qty	Item No.
5 mm CenterGuide	50/pk	246525
9 mm CenterGuide	50/pk	246713
9.5 mm (3/8")	50/pk	246124
11 mm (7/16") CenterGuide	50/pk	246225
11 mm (7/16") CenterGuide	100/pk	246228
11.5 mm CenterGuide	50/pk	246725
12.7 mm (1/2") CenterGuide	50/pk	246325
17 mm CenterGuide	50/pk	246624
Shimadzu	50/pk	246424



Top to Bottom:
 Competitor's low-bleed green septa
 AG3™
 BTO®
 Blank



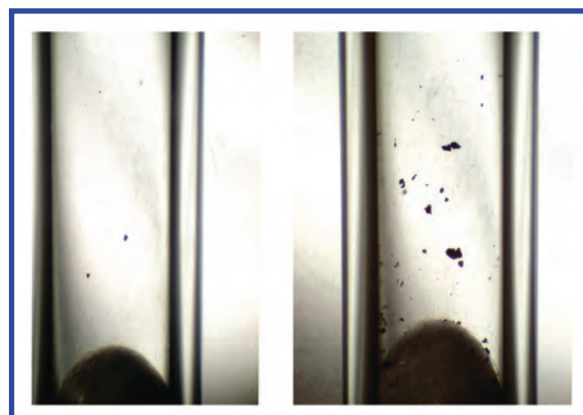


Marathon™

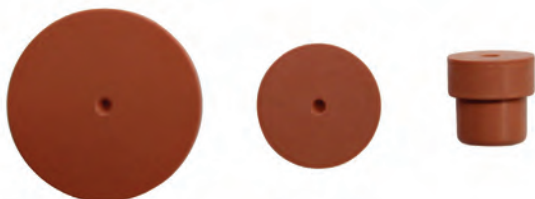
Marathon are pre-pierced to channel the needle through the same spot with each injection, which helps eliminate the common type of coring that may occur on the first injection. The Marathon septum is also ideal for standard manual-injection GC and GC/MS. Marathon Septa are packaged in glass jars for high purity. CenterGuide™ on select sizes are listed.



Description	25/pk	50/pk	100/pk
5 mm CenterGuide	239587	239597	
9 mm CenterGuide	239778	239779	
11 mm (7/16") CenterGuide	239287	239297	239888
11.5 mm CenterGuide	239787	239798	
12.7 mm (1/2") CenterGuide	239387	239397	
17 mm CenterGuide	239688	239698	
Shimadzu	239488	239498	



Our Marathon Septa are pre-pierced to enhance septa life and performance in some applications by minimizing tearing and coring often found when general purpose septa are used. Left: CenterGuide™ and pre-pierced. Right: Non-CenterGuide™ and non-pierced.



General Purpose Septa



Economy Blue Septa

CRS Blue Septa are designed for routine applications. They are made from silicone and easy to penetrate.

Description	50/pk	100/pk
5 mm	234106	234105
6 mm (1/4")	234626	234625
9 mm	234108	234109
9.5 mm (3/8")	234906	234905
10 mm	234111	234110
11 mm (7/16")	234116	234115
11.5 mm	234216	234215
12.7 mm (1/2")	234126	234125
17 mm	234118	234117
Shimadzu	234121	234120



Puresep T™

A silicone-based septum, faced on one side with a double layer of polyimide and PTFE. The polyimide adheres to both the silicone and PTFE, providing a better bond and enhanced durability. The outer PTFE coating assures maximum inertness and helps minimize bleed.

Description	Qty	Item No.
6 mm (1/4")	50/pk	230665
9.5 mm (3/8")	50/pk	230675
11 mm (7/16")	50/pk	230685
11.5 mm	50/pk	230697
12.7 mm (1/2")	50/pk	230695



BLOGables

Are you choosing the right Septa? Find out online at <https://www.ChromRes.com/blog/>

Useful and relevant discussions related to the GC industry including product information, troubleshooting, FAQ, and recommendations from our skilled experts.



Puresep P™

Puresep P™ is made from silicone coated with a layer of high temperature polyimide.

Description	Qty	Item No.
6 mm (1/4")	50/pk	230630
9.5 mm (3/8")	50/pk	230640
11 mm (7/16")	50/pk	230650
11.5 mm	50/pk	230670
12.7 mm (1/2")	50/pk	230660



Do you know about our Premium Septa?

Learn how our premium septa can make a difference in your analysis on page 42.



BTO®

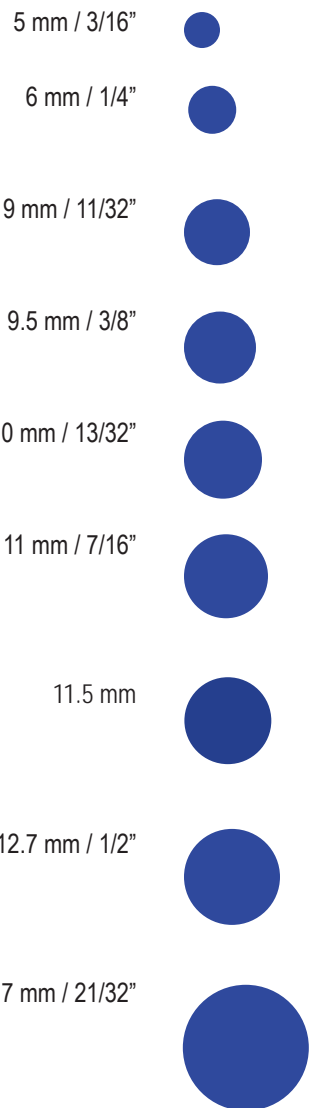


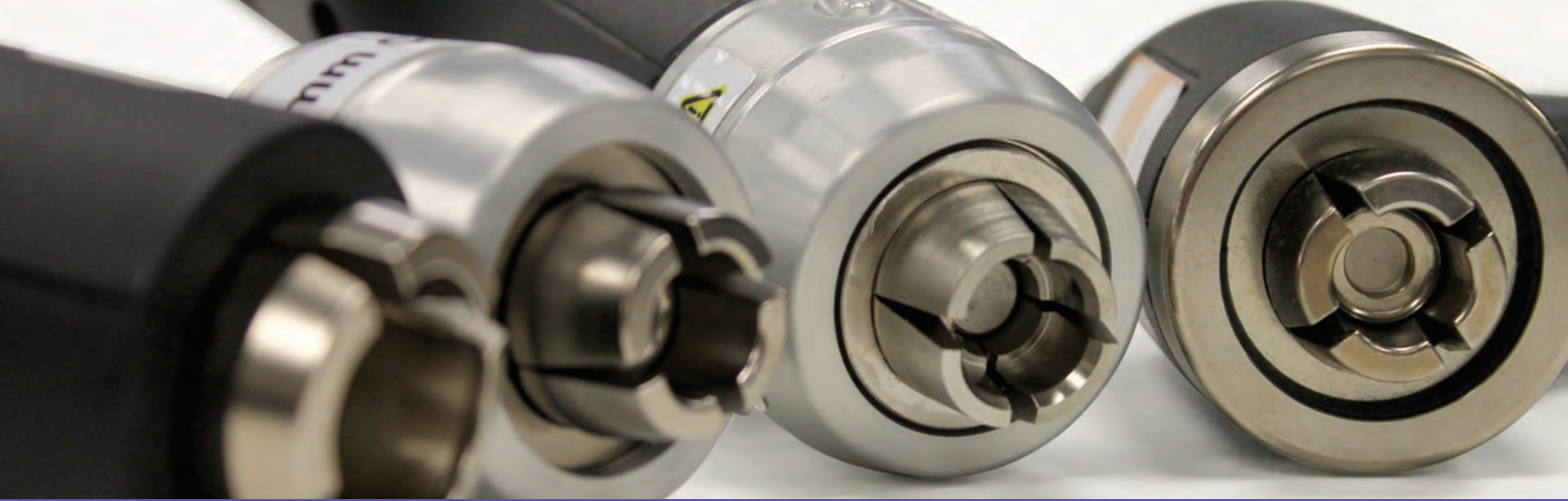
AG3™



Marathon™

Measuring Chart





Crimping Tools

Manual Crimping Tools	50
Electronic Crimping Tools	51
High Power Crimping Tools	52-53
Accessories	54

Crimping Tools

Manual Crimpers and Decappers

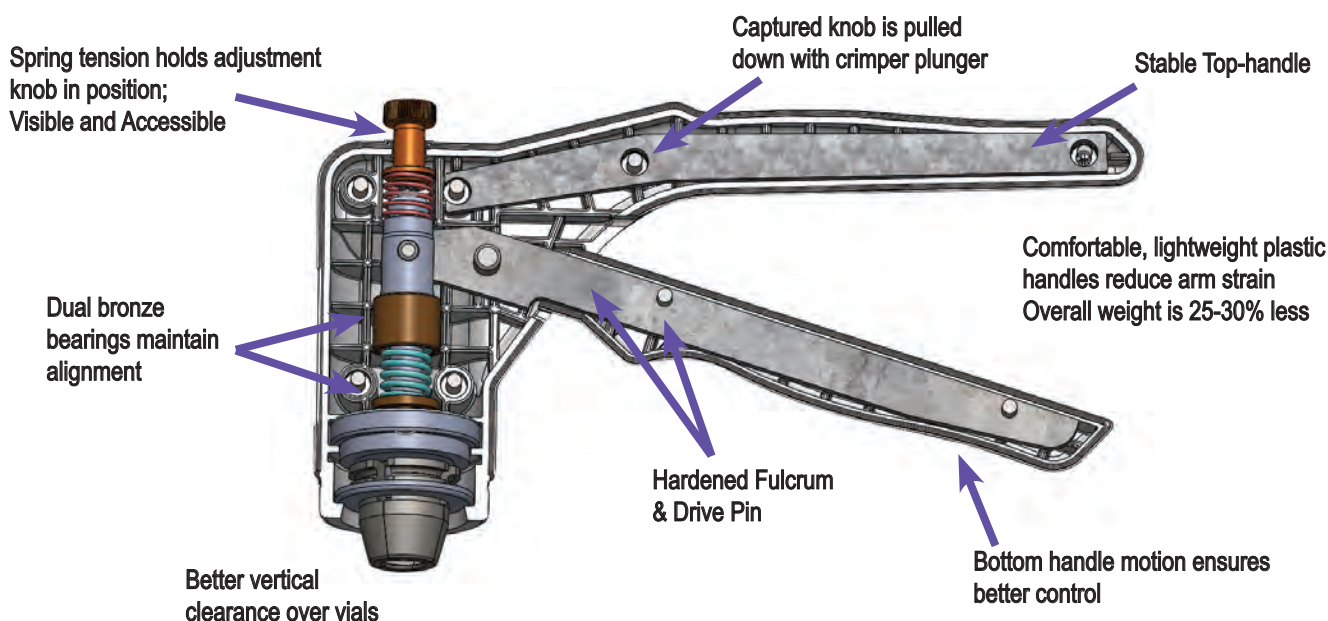
- Easily-viewed adjustment knob
- Strong light-weight plastic body
- Bottom-pull handle design prevents wobbling
- Curved high-strength plastic handles
- Available for flip-off caps in 13 mm and 20 mm sizes (not for use with *flip-up* caps)
- Optional crimper stand available (page 54)



Adjusting the Crimp Setting

The adjustment knob is conveniently positioned at the head of the crimper and clearly displays + and - symbols along with directional arrows. This simplifies adjusting the intensity of the crimp to the desired setting. When the knob touches the crimper body, the crimp setting has been reached. No more “extra squeeze” necessary! Available in 8 mm (crimper only), 11 mm, 13 mm, and 20 mm cap sizes; including the flip-off style in 13 mm and 20 mm cap sizes.

Description	Item No.
8 mm Crimper	308990
11 mm Crimper	311990
13 mm Crimper	313990
13 mm Crimper for Flip Off Caps*	313992
20 mm Crimper	320990
20 mm Crimper for Flip Off Caps*	320992
*Not for use with Flip-Up Caps	
11 mm Decapper	311991
13 mm Decapper	313991
20 mm Decapper	320991



Electronic Crimpers and Decappers

- Powerful motor allows fast cycles
- Long lasting battery with Lithium Ion technology
- Advanced charging system includes warning light when recharging is necessary
- Can be operated while charging
- Convenient controls on top of unit to adjust power
- Not for use with all steel/magnetic caps, see High Power Crimper (page 52)
- Available for flip-off caps in 13 mm and 20 mm sizes (not for use with *flip-up* caps)
- Optional base with mounting kit and stand (page 54)

CRS electronic crimpers and decappers fit standard laboratory vials and seals with aluminum or two-part aluminum/steel caps. For all steel caps see the High Power Crimper on page 52. The crimper jaws easily fit around vials that are set in standard autosampler trays. The electronically-adjustable cycle is accurate and reproducible and can be adjusted with the control pad on top of the unit.

The tools are ergonomically designed to reduce strain and arm injury associated with many manual crimping tools. Available in 8 mm (crimper only), 11 mm, 13 mm, and 20 mm cap sizes; including the flip-off style in 13 mm and 20 mm cap sizes.

Rechargeable

The tools can be recharged in one to two hours with the universal power supply included. The power supply includes a plug set for operation in most countries.



Description	Item No.
8 mm Crimper	6A08C0
11 mm Crimper	6A11C0
13 mm Crimper	6A13C0
13 mm Crimper for Flip Off Caps*	6A13F0
20 mm Crimper	6A20C0
20 mm Crimper for Flip Off Caps*	6A20F0
*Not for use with Flip-Up Caps	
11 mm Decapper	6A11D0
13 mm Decapper	6A13D0
20 mm Decapper	6A20D0

High Power Crimping Tool

- Fastest and most powerful CRS crimping Tool
- Strong enough for all steel and magnetic caps
- Designed with external power source and cord (no battery)
- Uses interchangeable jaw sets (ordered separately)
- Stores separate programs for different caps and seals
- Jaws available for flip-off caps in 13 mm and 20 mm sizes (not for use with *flip-up* caps)
- Optional base and mounting kit (see page 54)



The CRS High Power Crimper is designed with interchangeable jaws so that you only need one crimping tool. You can then choose which size crimper and decapper jaw sets fit your laboratory needs. The jaw sets fit standard laboratory vials with aluminum, two-part aluminum/steel, and all-steel crimp caps. This crimping tool has the ability to store separate programs for different style caps and cap sizes. The tools are ergonomically designed to reduce strain and arm injury associated with many manual crimping tools. Jaw sets are available in 8 mm (crimper only), 11 mm, 13 mm, and 20 mm cap sizes, including flip-off style in 13 mm and 20 mm cap sizes.

Description	Item No.
High Power Electronic Crimping Tool	6AHPS0
8 mm Crimper Jaw	308955
11 mm Crimper Jaw	311955
13 mm Crimper Jaw	313955
13 mm Crimper Jaw for Flip Off Caps*	313956
20 mm Crimper Jaw	320955
20 mm Crimper Jaw for Flip Off Caps*	320956
*Not for use with Flip-Up Caps	
11 mm Decapper Jaw	311965
13 mm Decapper Jaw	313965
20 mm Decapper Jaw	320965

Switching Jaw Sets

Jaw sets are easy to interchange. Simply insert the jaw set into the bushing at the bottom of the tool. Push up and twist until the set locks into position. To remove, push the outside button and rotate.



Crimping Tools

Crimping Tool Accessories



Base and Mounting Kit

The Base and Mounting Kit is available for use with either the Electronic Crimping Tools or with High Power Electronic Crimping Tools. The kit is easy to assemble and all hardware is included.

Description	Item No.
Base and Mounting Kit	5ABAS0



Crimping Tool Stand

The Crimping Tool Stand is available for use with both the Electronic and Manual Crimping Tools.

Description	Item No.
Crimper Stand	5ASTA0



Replacement Battery

Longer lasting battery with Lithium Ion technology.

Description	Item No.
6.6 Volt Lithium Ion Battery	HPB6-A



DJ's Fun Fact

CRS was first to manufacture and patent the electronic crimper in 1999.



Product by GC Manufacturer

For Agilent Instruments	98-99
For Bruker Instruments	100-101
For PerkinElmer Instruments.	102-103
For Shimadzu Instruments	104-105
For Thermo Instruments	106-107

For Agilent Instruments

Graphite Ferrules



Capillary Column Ferrules

Description	For Capillary Sizes - ID	Item No.
1/16" to 0.4 mm	0.25 mm	211104
1/16" to 0.5 mm	0.32 mm	211105
1/16" to 0.8 mm	0.53 mm	211108
1/16" to 1.0 mm	0.65 mm	211110
1/16" to 1.2 mm	0.75 mm	211112



Short Ferrules for Agilent Inlets*

Description	For Capillary Sizes - ID	Item No.
1/16" to 0.4 mm	0.10 - 0.25 mm	211164
1/16" to 0.5 mm	0.32 mm	211165
1/16" to 0.8 mm	0.45 - 0.53 mm	211168
1/16" to 1.0 mm	0.53 - 0.65 mm	211160

*short ferrules for Agilent inlet systems: 5890, 6890 and 7890.

Vespel®/Graphite Ferrules - SP-22 (60%/40%)



Capillary Column Ferrules

Description	For Capillary Sizes - ID	Item No.
1/16" to 0.3 mm	0.10	213103
1/16" to 0.4 mm	0.18 - 0.25 mm	213104
1/16" to 0.5 mm	0.32 mm	213105
1/16" to 0.8 mm	0.53 mm	213108
1/16" to 1.0 mm	0.65 mm	213110



Short Ferrules for Agilent Inlet*

Description	For Capillary Sizes - ID	Item No.
1/16" to 0.3 mm	0.10 - 0.18 mm	213163
1/16" to 0.4 mm	0.25 mm	213164
1/16" to 0.5 mm	0.32 mm	213165
1/16" to 0.8 mm	0.53 mm	213168

*Short ferrules for Agilent Inlet systems: 5890, 6890 and 7890

Vespel®/Graphite Ferrules - SP-21 (85%/15%)



Capillary Column Ferrules

Description	For Capillary Sizes - ID	Item No.
1/16" to 0.3 mm	0.10	215103
1/16" to 0.4 mm	0.18 - 0.25 mm	215104
1/16" to 0.5 mm	0.32 mm	215105
1/16" to 0.8 mm	0.53 mm	215108
1/16" to 1.0 mm	0.65 mm	215110



Short Ferrules for Agilent Inlet*

Description	For Capillary Sizes - ID	Item No.
1/16" to 0.4 mm	0.25 mm	215164
1/16" to 0.5 mm	0.32 mm	215165
1/16" to 0.8 mm	0.53 mm	215168

*Short ferrules for Agilent Inlet systems: 5890, 6890 and 7890

Graphite Liner Ferrules



Description	For Capillary Sizes - ID	Item No.
Graphite Liner Seal, 6.5 mm ID	0.53 - 0.65 mm	216652

Premium Septa

GC	Septum Size
5880A, 5890, 6890, 6850, 7820, 7820A, 7890A	11 mm
On-column injection	5 mm

BTO[®]



Description	Qty	Item No.
5 mm CenterGuide	50/pk	298787
7/16" (11 mm) CenterGuide	50/pk	298717
7/16" (11 mm) CenterGuide	100/pk	298718
5 mm CenterGuide	50/pk	246525

Advanced Green 3[™]



Description	Qty	Item No.
7/16" (11 mm) CenterGuide	50/pk	246225
7/16" (11 mm) CenterGuide	100/pk	246228
5 mm CenterGuide	50/pk	239597

Marathon[™]



Description	Qty	Item No.
7/16" (11 mm) CenterGuide	50/pk	239297
7/16" (11 mm) CenterGuide	100/pk	239888

Product by GC Manufacturer

For Bruker Instruments (former Varian)

Graphite Ferrules



Graphite Liner Ferrules



Capillary Column Ferrules

Description	For Capillary Sizes - ID	Item No.
1/16" to 0.4 mm	0.25 mm	211104
1/16" to 0.5 mm	0.32 mm	211105
1/16" to 0.8 mm	0.53 mm	211108
1/16" to 1.0 mm	0.65 mm	211110
1/16" to 1.2 mm	0.75 mm	211112

Description	Item No.
Graphite Liner Ferrule, each	211550

Vespel®/Graphite Ferrules - SP-22 (60%/40%)



Capillary Column Ferrules

Description	For Capillary Sizes - ID	Item No.
1/16" to 0.3 mm	0.10 mm	213103
1/16" to 0.4 mm	0.18 - 0.25 mm	213104
1/16" to 0.5 mm	0.32 mm	213105
1/16" to 0.8 mm	0.53 mm	213108
1/16" to 1.0 mm	0.65 mm	213110

Vespel®/Graphite Ferrules - SP-21 (85%/15%)



Capillary Column Ferrules

Description	For Capillary Sizes - ID	Item No.
1/16" to 0.3 mm	0.10 mm	215103
1/16" to 0.4 mm	0.18 - 0.25 mm	215104
1/16" to 0.5 mm	0.32 mm	215105
1/16" to 0.8 mm	0.53 mm	215108
1/16" to 1.0 mm	0.65 mm	215110

Premium Septa

Inlet	Septum Size
1177	9 mm
1040/41/60/61	3/8" (9.5 mm)
1075/77/78, 1079, 1093/94 SPI	11.5 mm

BTO®



Advanced Green 3™



Description	Qty	Item No.
9 mm CenterGuide	50/pk	298713
9.5 mm	50/pk	298705
11.5 mm CenterGuide	50/pk	298777

Description	Qty	Item No.
9 mm CenterGuide	50/pk	246713
9.5 mm	50/pk	246124
11.5 mm CenterGuide	50/pk	246725

Marathon™



Description	Qty	Item No.
9 mm CenterGuide	50/pk	239779
11.5 mm CenterGuide	50/pk	239798

For PerkinElmer Instruments

Graphite Ferrules



Reducing Ferrules

Description	For Capillary Sizes - ID	Item No.
1/8" to 0.4 mm	0.25 mm	211204
1/8" to 0.5 mm	0.32 mm	211205
1/8" to 0.8 mm	0.53 mm	211208
1/16", two hole 0.5 mm; each	0.32 mm	211222



Reducing Ferrules

Description	For Tubing Sizes - ID	Item No.
1/8" to 1/16"	1/16 in	211210

Vespel®/Graphite Ferrules - SP-22 (60%/40%)



Reducing Ferrules

Description	For Capillary Sizes - ID	Item No.
1/8" to 0.4 mm	0.25 mm	213204
1/8" to 0.5 mm	0.32 mm	213205
1/8" to 0.8 mm	0.53 mm	213208
1/8", two-holes 0.5 mm, each	0.32 mm	213222
1/8", two-holes 0.8 mm, each	0.53 mm	213228



Reducing Ferrules

Description	For Tubing Sizes - OD	Item No.
1/8" to 1/16"	1/16"	213210

Vespel®/Graphite Ferrules - SP-21 (85%/15%)



Reducing Ferrules

Description	For Capillary Sizes - ID	Item No.
1/8" to 0.4 mm	0.25 mm	215204
1/8" to 0.5 mm	0.32 mm	215205
1/8" to 0.8 mm	0.53 mm	215208



Reducing Ferrules

Description	For Tubing Sizes - OD	Item No.
1/8" to 1/16"	1/16" 215210	Graphite

O-Ring-for PerkinElmer Autosys XL or Clarus



Description	Item No.
O-Ring, 10/pk	216637

Premium Septa

GC	Septum Size
Sigma Series, 900, 990, 8000 Series	11 mm
Auto SYS™, Auto SYS XL	11 mm

BTO®



Description	Qty	Item No.
7/16" (11 mm) CenterGuide	50/pk	298717
7/16" (11 mm) CenterGuide	100/pk	298718

Advanced Green 3™



Description	Qty	Item No.
7/16" (11 mm) CenterGuide	50/pk	246225
7/16" (11 mm) CenterGuide	100/pk	246228

Marathon™



Description	Qty	Item No.
7/16" (11 mm) CenterGuide	50/pk	239297
7/16" (11 mm) CenterGuide	100/pk	239888

Product by GC Manufacturer

For Shimadzu Instruments

Graphite Ferrules



Description	Item No.
5 mm Shimadzu 5 mm OD columns	211500



Capillary Column Ferrules

Description	For Capillary Sizes - ID	Item No.
Shimadzu 17A, 2010 & 2014 GC's, 0.4 mm	0.25 mm and less	211174
Shimadzu 17A, 2010 & 2014 GC's, 0.5 mm	0.32 mm	211175
Shimadzu 17A, 2010 & 2014 GC's, 0.8 mm	0.53 mm	211178

Graphite Liner Seals; O-Rings



Description	Item No.
Graphite Liner Seal, 10/pk	211195
Graphite O-Ring, Split, 10/pk	216638
Graphite O-Ring, Splitless, 10/pk	216639

Premium Septa

GC

Septum Size

9A, 14, 15A, 16, 17A

Plug

2010, 2014

Plug

BTO[®]

Advanced Green 3[™]



Description	Qty	Item No.
Septa Plug	50/pk	298735

Description	Qty	Item No.
Septa Plug	50/pk	246424

Marathon[™]



Description	Qty	Item No.
Septa Plug	50/pk	239498

For Thermo Instruments

Graphite Ferrules



M8 Nut Ferrules

Description	Item No.
0.5 mm ID	211905
0.8 mm ID	211908



Cup Ferrules - M4 Nut

Description	For Capillary Sizes - ID	Item No.
0.28 mm ID	0.10 mm	211982-10
0.38 mm ID	0.25 mm	211983-10
0.48 mm ID	0.32 mm	211984-10
0.80 mm ID	0.53 mm	211988-10

Graphite Liner Seal



Description	Item No.
5 mm Graphite Seal, 2/pk	216949
8 mm Graphite Liner Seal, each	216948

Premium Septa

GC	Septum Size
9001, GCQ	9 mm
Trace 1300 Series	11 mm
PTV Injector	1/2" (12.7mm)
Fisons/Carlo Erba 8000 Series, Trace, Focus Split/Splitless	17 mm

BTO®



Description	Qty	Item No.
9 mm CenterGuide	50/pk	298713
7/16" (11 mm) CenterGuide	50/pk	298717
7/16" (11 mm) CenterGuide	100/pk	298718
1/2" (12.7 mm) CenterGuide	50/pk	298727
17 mm CenterGuide	50/pk	298817

Advanced Green 3™



Description	Qty	Item No.
9 mm CenterGuide	50/pk	246713
7/16" (11 mm) CenterGuide	50/pk	246225
7/16" (11 mm) CenterGuide	100/pk	246228
1/2" (12.7 mm) CenterGuide	50/pk	246325
17 mm CenterGuide	50/pk	246624

Marathon™



Description	Qty	Item No.
9 mm CenterGuide	50/pk	239779
7/16" (11 mm) CenterGuide	50/pk	239297
7/16" (11 mm) CenterGuide	100/pk	239888
1/2" (12.7 mm) CenterGuide	50/pk	239397
17 mm CenterGuide	50/pk	239698

Trademarks

These trademarks are the property of Chromatography Research Supplies, Inc.:

Advanced Green 3
CoFree
Marathon
Puresep P
Puresep T
Septa BTO
SPure
Ultra Precise
TruSeal
ZPure

These trademarks are the property of the companies listed below:

CP SIL - Chrompack
CP-Wax - Chrompack
Duran - Schott Glaswerke, Germany
Florisil - U.S. Silica Co.
Imp - Gould, Inc. Valve and Fitting Division
Kel-F - 3M Company
Mininert - Dynatech Precision Sampling Corp.
Pyrex - Corning Glass Works
Univial - Chromacol, Inc.
Vespel - E. I. duPont de Nemours & Co., Inc.
WISP - Waters Associates

All other trademarks herein are the property of their respective owners.

Services That Revolves Around You!

General Warranty Information

CRS provides a 1 year warranty on all Electronic Crimping Tools.

Returns/Refunds/Exchanges

We stand behind every product we sell! We are proud of our customer-first reputation and provide a no-hassle return policy. If any of our products fail to meet your expectations, simply contact Sales@ChromRes.com for a return material authorization (RMA) form to return it for a full refund or exchange.

Commitment to Quality

CRS is obligated to supply its customers with products that meet agreed requirements for quality, price, quantity, delivery and schedule.

Genuine Value

Quality products, technical support and guaranteed performance define value at CRS. Value is enhanced by competitive pricing, and measured by the growing satisfaction of customers, who trust CRS to supply their analytical needs.

Technical Support

At CRS, we understand your applications, and can help you get the best results from our products. You can feel confident knowing the products offered are selected for performance and quality.

Quick Delivery

CRS stocks thousands of our most popular items for immediate shipment. We can also supply the hard-to-find items you need. Most orders are shipped within 24 hours of receipt, and rush service is available.

Ordering Information

Phone

You can call in your order at one of the following phone numbers:

(800) 327-3800 (US only)

(502) 491-6300



Fax

Place your order by fax at

(502) 491-3390



Email

Email us your order at
Sales@ChromRes.com



Online Order

You can visit us at www.ChromRes.com



Chat

You can chat with us in real time and get help ordering online



Quotes

If you would like to get a pricing quote please contact us by phone, email, or fax, and we will be happy to assist you.

For Customer Service or Technical Support

We understand your applications, and can help you get the best results from our products. Please contact us by phone or email with any technical support questions or general product information and we would be happy to assist you.

Worldwide Distribution

A substantial part of CRS sales are exported, and the company ships to markets all around the world. Our products are used in analytical laboratories worldwide in various industries including food safety, flavor, fragrance, environmental, pharmaceutical, petrochemical, and forensic sciences.



Visit <https://www.ChromRes.com/distributors> to find a local CRS Distributor.

If you cannot find a local representative, please contact CRS.

Chromatography Research Supplies, Inc.

+ 1.502.491.6300 International

1.800.327.3800 U.S. Only

Sales@ChromRes.com

